



---

**GAS**  
STOVES



# Enviro

HEARTH PRODUCTS



## Designed to heat. Built to Last.

For over 30 years, unsurpassed quality and craftsmanship have made us an industry leader in innovative heating systems. Design, functionality, and efficiency merge to create exceptional products that will exceed all expectations. Whether time-honored traditional or bold and modern, our dynamic range of products will compliment any home décor. With a complete line of fireplace inserts, zero-clearance fireplaces, and freestanding stoves, we have the perfect solution for your heating requirements. We won't just meet your expectations; we'll exceed them...





### Design Features

As our entry level gas stove the S20 is the perfect solution for a smaller to mid size living room. Its modern design blends well with a variety of decor and its small footprint offers greater versatility in placement. It's available in both Nova or IPI and can be vented top or rear.

### Design Features

- Field conversion kit NG to LP
- Thermostat or remote compatible
- Ceramic log set
- Charcoal fluted liner
- Top vent / rear vent convertible
- Heavy duty heat exchanger
- Easy access controls
- 150 CFM variable speed fan
- Clear View Safety Screen
- Nova and IPI editions

### Stove Specifications

BTU Maximum Input - NG	20,000 BTU		
Turn Down*	up to 50%		
Heating Area	1,100 ft <sup>2</sup>		
P4 Efficiency	74.5%		
Glass Size	346 in <sup>2</sup>		
Stove Dimensions	HEIGHT 33½"	WIDTH 24½"	DEPTH 18¾"

\* Turn down is based on valve 820



High definition log set



Steel fireplace grate



Modern steel construction



S30 Freestanding Gas Stove  
Powder Coated Grey Side Panels

**S30**

FREESTANDING GAS STOVE





# S30

## FREESTANDING GAS STOVE

S30 Freestanding Gas Stove, Painted Black Side Panels

### Gas Stove Details

BTU Input	20,000 BTU's
Area Heated**	1,100 ft <sup>2</sup>
Turn Down	50%
EnerGuide FE Rating	74.5%
Venting	Top / Rear
Glass Size	w17½" x h19¾"
Fuel Compatibility	NG & LP

\*\* Efficiency and area heated will vary according to gas type and venting. Approved for sale in Canada and the United States.

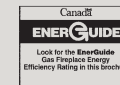
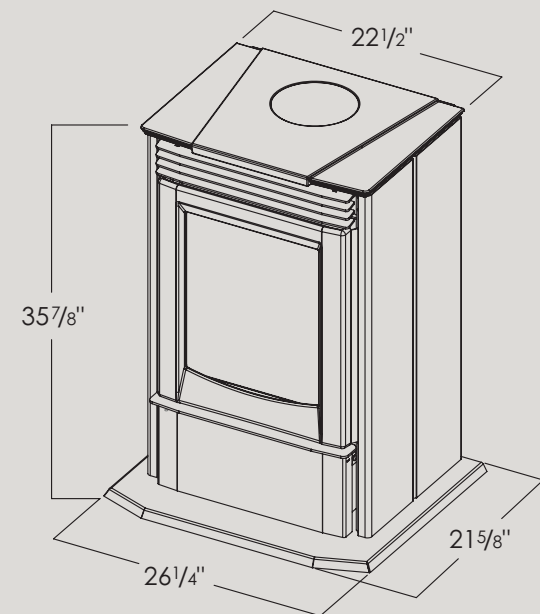
### Clearance to Combustibles

Min. distance to the sides of the unit	10¾"
Min. distance to non-combustible surface behind the unit	4"
Min. distance to non-combustible surface from above the unit	12"

Please see owner's manual for more information

### S30 Features

- European made cast iron accents
- Choice of side panels & ash lip
  - Painted black
  - Powder coated grey
- Nova and IPI editions
- Field conversion kit NG to LP
- Thermostat or remote compatible
- Ceramic logset
- Removable hearth pad
- Top vent / rear vent convertible
- Heavy duty heat exchanger
- Easy access controls
- 150 CFM variable speed fan
- Clear View safety screen



Manufactured by Sherwood Industries Ltd ▪ Victoria, BC, Canada  
 enviro.com ▪ info@enviro.com ▪ Printed in Canada, February 2016



### Design Features

The Westport Steel Gas Stove is an affordable solution for a midsize to large living space. It offers the performance of the original Westport Cast Iron Gas Stove with a more modern design and steel outer construction. It's available in both Nova or IPI and can be vented top or rear, and is also compatible with a B vent.

### Design Features

- Remote thermostat compatible
- Steel construction
- Ceramic log set
- Quick release glass door system
- Top vent / rear vent / B vent
- Safety screen
- Optional 180 CFM fan
- Nova and IPI editions

### Stove Specifications

BTU Maximum Input - NG	30,000 BTU		
Turn Down*	up to 50%		
Heating Area	1,700 ft <sup>2</sup>		
P4 Efficiency	64.9%		
Glass Size	336 in <sup>2</sup>		
Stove Dimensions	HEIGHT	WIDTH	DEPTH
	27½"	26¼"	19½"

\* Turn down is based on valve 820



Formed steel outer construction



High definition log set



Easy access controls



Westley - Antique Bronze



Westley - Painted Black

### Design Features

The Westley is our newest freestanding gas stove. It's European cast iron outer construction creates a traditional esthetic with modern accents. What really sets the Westley apart is it's 180° viewing angle giving plenty of exposure to it's high definition log set and stainless steel burner. The Westley is available in both a matte black finish or an antique bronze.

### Design Features

- European made castings
- 180° viewing angle
- Heavy duty heat exchanger
- B-vent compatible (IPI)
- 130 CFM variable speed fan
- Ultra HD log set
- True to life flame presentation
- Multiple Finishes:
  - Painted Black
  - Antique Bronze

### Stove Specifications

BTU Maximum Input - NG	29,000 BTU		
Turn Down*	33%		
Heating Area	1,500 ft <sup>2</sup>		
P4 Efficiency	67%		
Glass Size	525 in <sup>2</sup>		
Stove Dimensions	HEIGHT 27½"	WIDTH 26¾"	DEPTH 19⅝"

\* Turn down is based on IPI valve.



8 Piece ultra high definition log set



European castings - Matte Black



Flame visible from three sides



### Design Features

The Westport Cast Iron is one of our most popular freestanding gas stoves. Its traditional design and cast iron outer construction provide a classy appearance. The Westport Cast Iron Gas Stove is available in a painted black matte finish or an antique chestnut porcelain enameled finish. It can be vented top, rear, and is also compatible with a B vent.

### Design Features

- Remote thermostat compatible
- Cast iron outer construction
- Ceramic log set
- Quick release glass door system
- Top vent / rear vent / B vent
- Safety screen
- Optional 180 CFM fan
- Nova and IPI editions
- Multiple Finishes:
  - Painted Black
  - Enameled Antique Chestnut

### Stove Specifications

BTU Maximum Input - NG	30,000 BTU		
Turn Down*	up to 50%		
Heating Area	1,700 ft <sup>2</sup>		
P4 Efficiency	64.9%		
Glass Size	336 in <sup>2</sup>		
Stove Dimensions	HEIGHT 27½"	WIDTH 25¾"	DEPTH 19½"

\* Turn down is based on valve 820



Cast iron doors



High definition log set



Enameled antique chestnut finish



### Design Features

The S40 Freestanding Gas Stove offers a maximum BTU output of 40,000 making it excellent at heating large living spaces. It has a modern design and a 5/16" steep plate top. Instead of a typical burner tube layout, the S40 uses a ceramic log burner that blends in with the rest of the log set to create a more realistic appearance.

### Design Features

- Heavy duty heat exchanger
- Thermostat or remote compatible
- Ceramic log set and burner
- 5/16" steel plate top
- Ceramic charcoal fluted liner
- 150 CFM variable speed fan
- Optional B vent adaptor
- Nova valve

### Stove Specifications

BTU Maximum Input - NG	40,000 BTU		
Turn Down - Valve 820	up to 50%		
Heating Area	2,000 ft <sup>2</sup>		
P4 Efficiency	65.9%		
Glass Size	355 in <sup>2</sup>		
Stove Dimensions	HEIGHT	WIDTH	DEPTH
	28 <sup>5</sup> / <sub>16</sub> "	26 <sup>1</sup> / <sub>8</sub> "	22 <sup>7</sup> / <sub>16</sub> "

\* Turn down is based on valve 820



Modern design



Ceramic burner



Heavy duty heat exchanger



Berkeley - Enameled Antique Chestnut



Berkeley - Painted Black

### Design Features

The Berkeley is our newest freestanding gas stove. It's European cast iron outer construction creates a traditional esthetic with modern accents. What really sets the Berkeley apart is it's 180° viewing angle giving plenty of exposure to it's high definition log set and ceramic burner. The Berkeley is available in both a matte black finish and enameled antique chestnut.

### Design Features

- European made castings
- 180° viewing angle
- Nova and IPI editions
- Heavy duty heat exchanger
- B-vent compatible (Nova)
- Ceramic log set and burner
- 150 CFM variable speed fan
- Multiple Finishes:
  - Painted Black
  - Enameled Antique Chestnut

### Stove Specifications

BTU Maximum Input - NG	40,000 BTU		
Turn Down*	up to 67.5%		
Heating Area	2,000 ft <sup>2</sup>		
P4 Efficiency	66.6%		
Glass Size	724 in <sup>2</sup>		
Stove Dimensions	HEIGHT	WIDTH	DEPTH
	30¼"	29½"	22½"

\* Turn down is based on valve 885 with front burner being turned off.



Flame visible from three sides



9 Piece ultra high definition log set



European castings - enameled antique chestnut

# Unit Specifications

Performance	<b>S20</b> SMALL GAS STOVE	<b>Westley</b> CAST IRON GAS STOVE	<b>Westport</b> CAST IRON / STEEL STOVE	<b>S40</b> LARGE GAS STOVE	<b>Berkeley</b> CAST IRON GAS STOVE
BTU Maximum input - NG	20,000 BTU	29,000 BTU	30,000 BTU	40,000 BTU	40,000 BTU
Turn Down - Valve 820 / Valve 885	50% / 33%	— / 33%	50% / 33%	50% / —	50% / 67.5%*
Construction	Steel	Cast Iron	Cast Iron / Steel	Steel	Cast Iron
SIT Valve 820 (Standing Pilot)	Available	N/A	Available	Standard	Available
SIT Valve 885 (IPI)	Available	Standard	Available	N/A	Available
Efficiency - Steady State**	76.2%	68.9%	71.3%	70.7%	69%
Efficiency - FE rating †	74.5%	67%	64.9%	65.9%	66.6%
Glass Size	19¾" x 17½", 346 in²	525 in² (Front + Sides)	16.5" x 20.375", 336 in²	16⅞" x 21", 355 in²	724 in² (Front + Sides)
Finish	- Painted Black	- Painted Black - Antique Bronze	- Painted Black - Enameled Antique Chestnut	- Painted Black	- Painted Black - Enameled Antique Chestnut

Installation	<b>S20</b> SMALL GAS STOVE			<b>Westley</b> CAST IRON GAS STOVE			<b>Westport</b> CAST IRON / STEEL STOVE			<b>S40</b> LARGE GAS STOVE			<b>Berkeley</b> CAST IRON GAS STOVE		
Dimensions	HEIGHT	WIDTH	DEPTH	HEIGHT	WIDTH	DEPTH	HEIGHT	WIDTH	DEPTH	HEIGHT	WIDTH	DEPTH	HEIGHT	WIDTH	DEPTH
	33½"	24½"	18⅜"	27½"	26¾"	19⅞"	27½"	25¾"	19½"	28⅝"	26⅞"	22⅞"	30¼"	29⅝"	22⅝"
LP Conversion Kit (SP)	Standard			N/A			Standard			Standard			Standard		
LP Conversion Kit (IPI)	Optional			Optional			Optional			N/A			Optional		
Venting (Direct Vent)	4" x 6⅝"			4" x 6⅝"			4" x 6⅝"			4" x 6⅝"			4" x 6⅝"		
Venting Compatibility	Top / Rear			Top			Top / Rear			Top			Top		
B Vent Compatibility	N/A			Yes			Yes			Yes			(Nova Only)		
Weight	225 lbs			190 lbs			227 lbs / 117 lbs			275 lbs			295 lbs		
Convection Fan	Included			Included			Optional			Included			Included		

\* Berkeley IPI turn down based on front burner being turned off.

\*\* Steady state rating based on conventional venting configuration.

† Based on the measured P-4-15 rating of the IPI model, excluding S40.

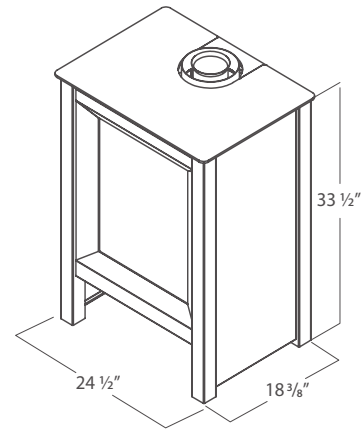
Specifications and measurements are subject to change. Please refer to owners manual for the most up to date and detailed product information.

# Unit Specifications

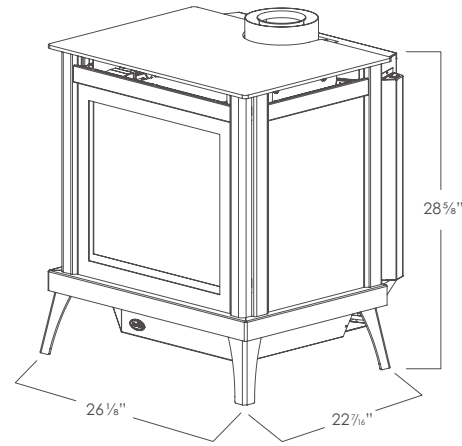
Clearance to Combustibles	<b>S20</b> SMALL GAS STOVE	<b>Westley</b> CAST IRON GAS STOVE	<b>Westport</b> CAST IRON / STEEL STOVE	<b>S40</b> LARGE GAS STOVE	<b>Berkeley</b> CAST IRON GAS STOVE
Minimum distance to the stove's sides	8"	10 ¼"	11"	11⅜"	12"
Minimum distance behind the stove	4"	5"	2.5"	5"	5"
Minimum alcove height to top of stove	12"	35"	32½"	28⅝"	27½"
Minimum distance corner to wall	3"	5"	2.5"	7.5"	7.5"
Center of vent to sidewall (at minimum corner)	15"	15 ⅝"	12⅞"	17¾"	17¾"

# Unit Dimensions

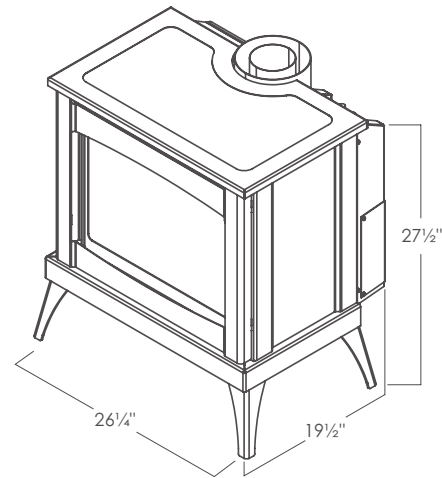
**S20**  
Gas Stove



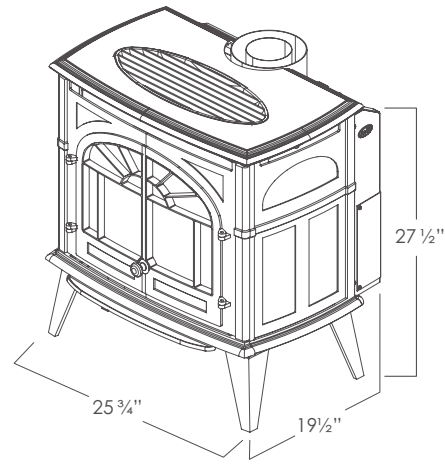
**S40**  
Gas Stove



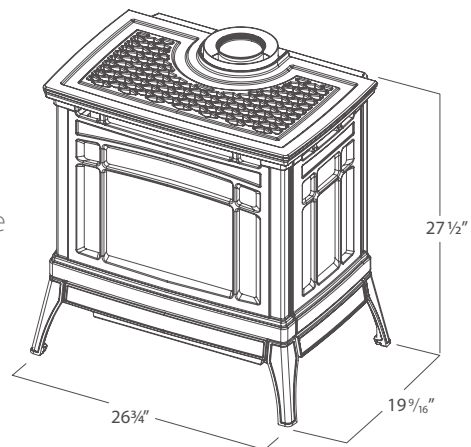
**Westport**  
Steel Gas Stove



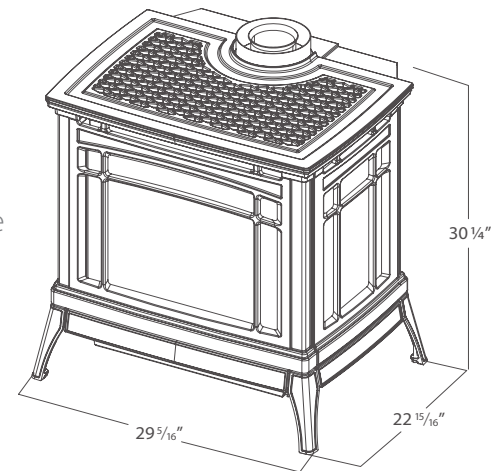
**Westport**  
Cast Iron Gas Stove



**Westley**  
Cast Iron Gas Stove



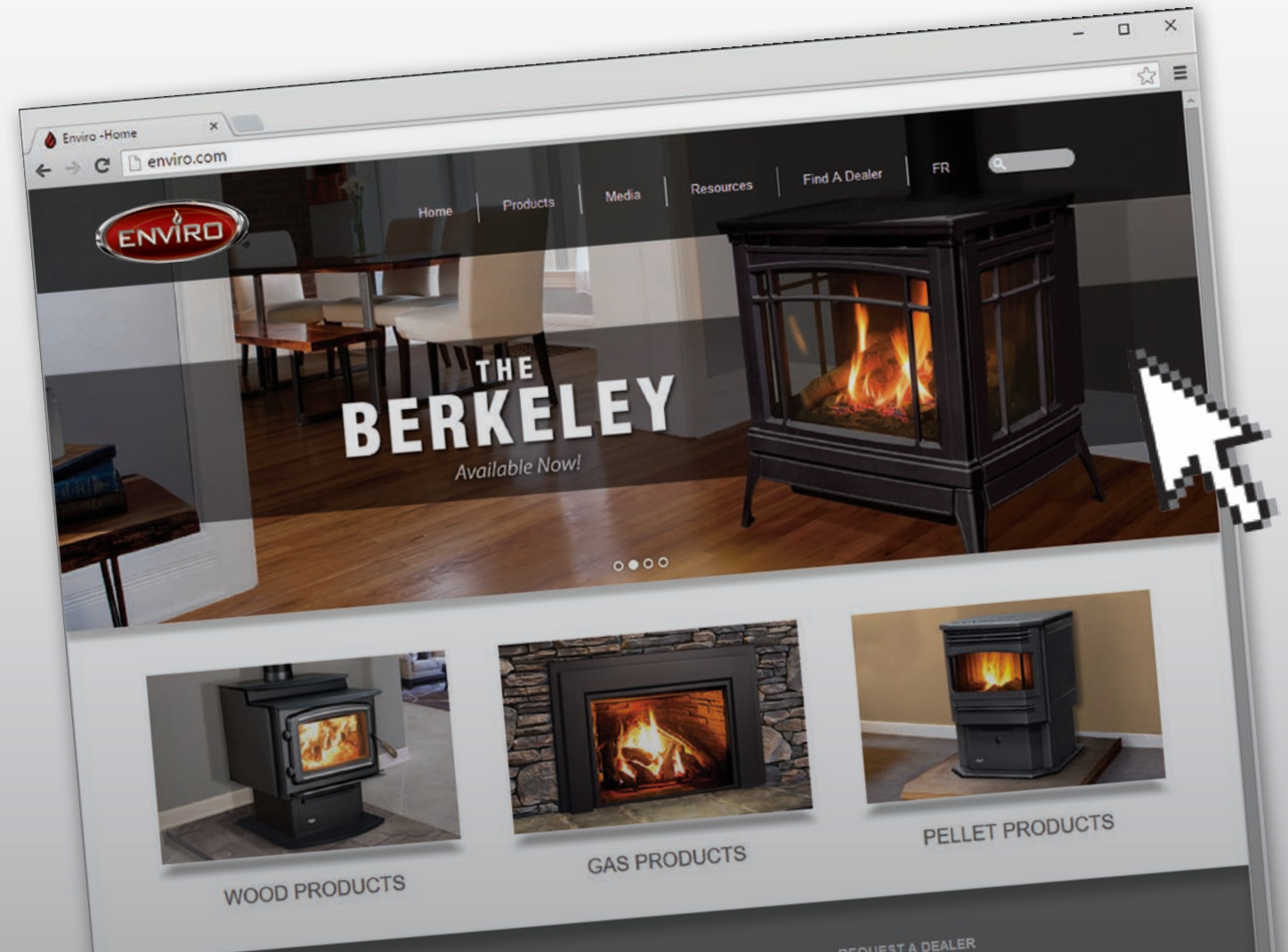
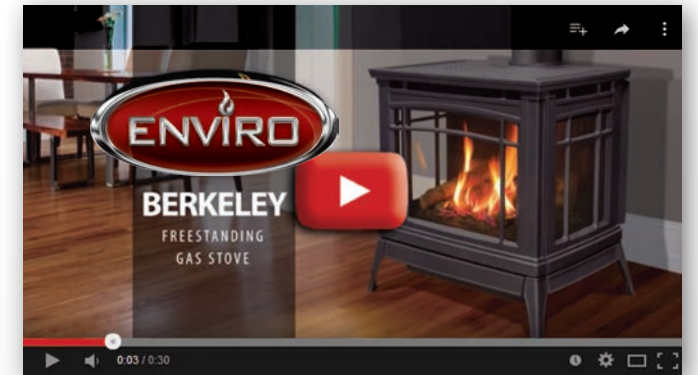
**Berkeley**  
Cast Iron Gas Stove



Learn more about our products at

# enviro.com

- Detailed Product Lineup
- Model Photo Galleries
- Downloadable Manual PDF's
- Unit Comparison Charts
- Youtube Burn Example Videos
- Online Brochures
- Dealer Locator Tool



The best way to visualize  
your dream fireplace at home  
is with the Enviro App!



Manufactured by Sherwood Industries Ltd • Victoria, BC, Canada  
enviro.com • info@enviro.com • Printed in Canada, January 2019



Please share and  
recycle this brochure