

URBANA

LUXURY FIREPLACES

**Double sided Glass Installation kit
50-4167**



WARNING: If the information in this manual is not followed exactly, a fire or explosion may result causing property damage, personal injury or loss of life. Installation and service must be performed by a qualified installer, service agency or the gas supplier.

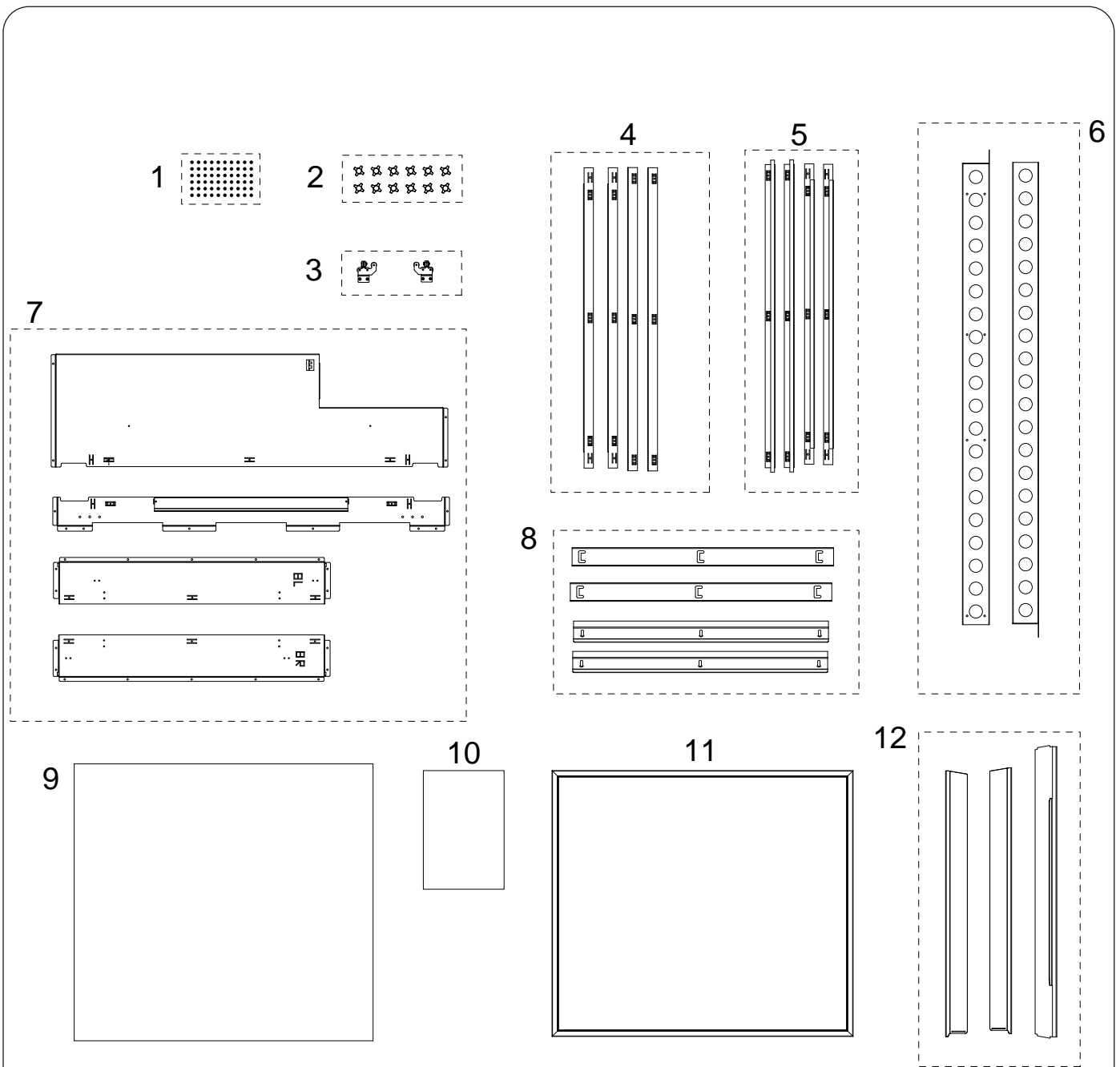
Intertek
C#4001609

CERTIFIED TO: ANSI Z21.88 / CSA 2.33 VENTED GAS FIREPLACE HEATERS
CSA 2.17 GAS FIRED APPLIANCES FOR HIGH ALTITUDES

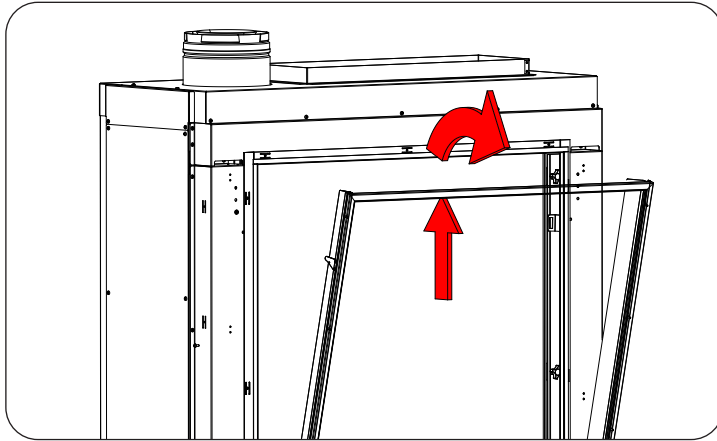
C-16964

Contents

Kit Contents.....	3
Preparing For Install	4
Preparing For Install	5
Liner Pocket - Clamp Removal	7
Installing glass clamps	8
Installing Cabinet.....	9
Installing Screen.....	10
Installing Screen.....	11

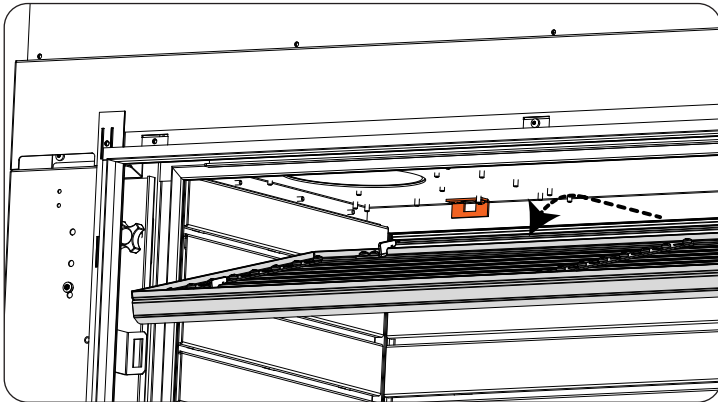


KIT CONTENTS			
1) T20 Fasteners	2) Hand knobs	3) Left and Right Glass bumpers	4) Clean Face Trim
6) Tiling Trim	6) Steel Stud	7) Rear cabinet	8) Glass Clamps
9) GLASS	10) Instruction Manual	11) safety Screen	12) safety screen trim

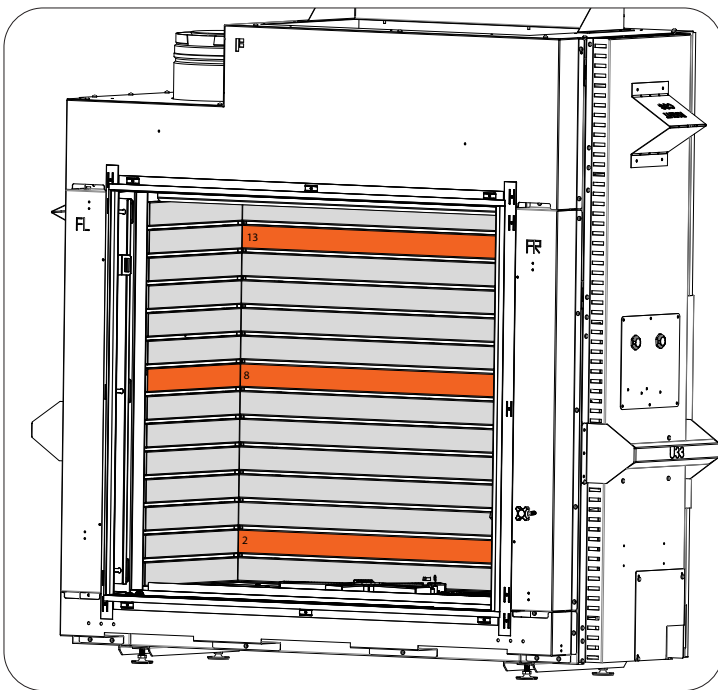


The Rear of the firebox needs to be removed from the unit. This is a heavy item so it is recommended to remove the rear liners first before attempting to remove the rear of the firebox to do this;

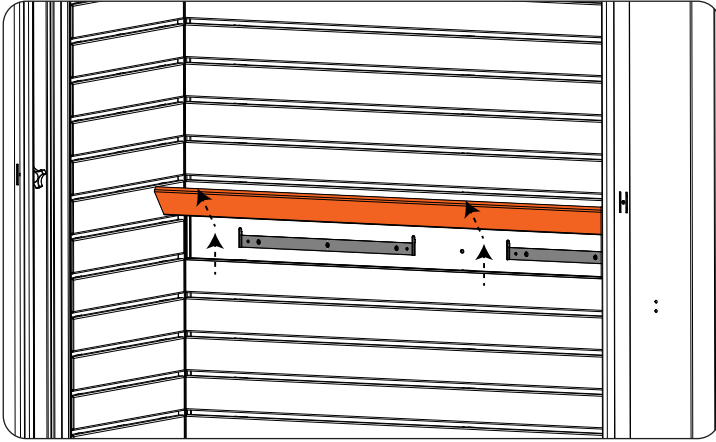
1. Remove Safety Screen, Lift up the frame of the screen and pull the screen towards you.
2. Remove glass, undo the glass clamps and slide clamps out of the way.



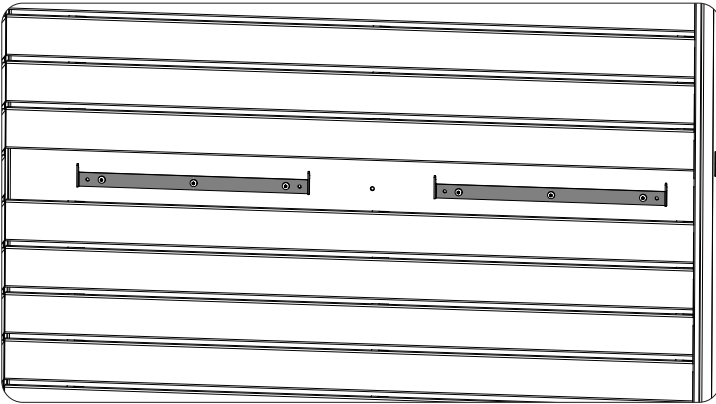
3. Remove the baffle. lift up the baffle and pull towards you. Lifting the baffle off the hooks.



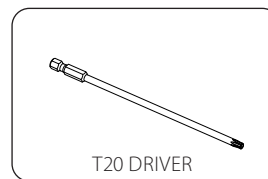
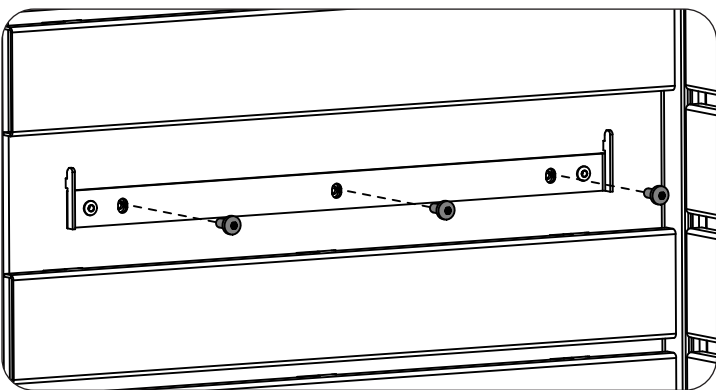
4. the Rear liner has 4 removable panels. The left image shows which panels are removable.



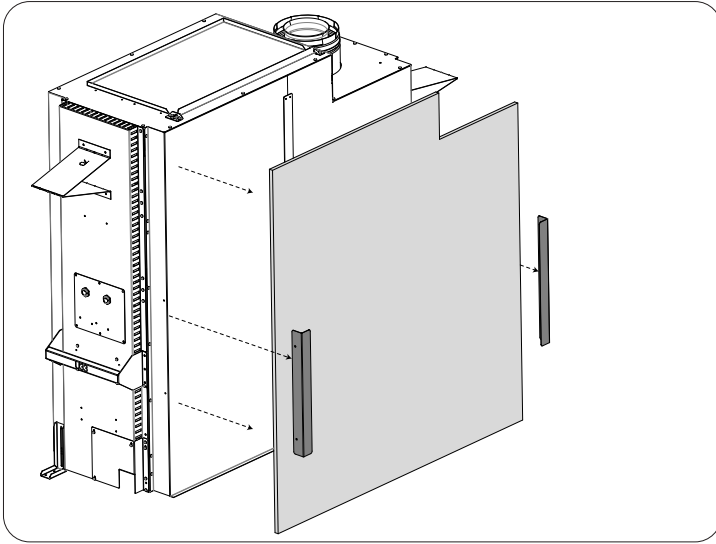
5. The removable liners are held on with hooks. To remove, locate the correct panel, slide the liner up and then remove from firebox. A screwdriver may be required to gently slide the panel up.



6. Behind the removable panel you will see T20 fasteners, remove these screw to release the liner from the firebox. You will need to do this at each removable panel location.

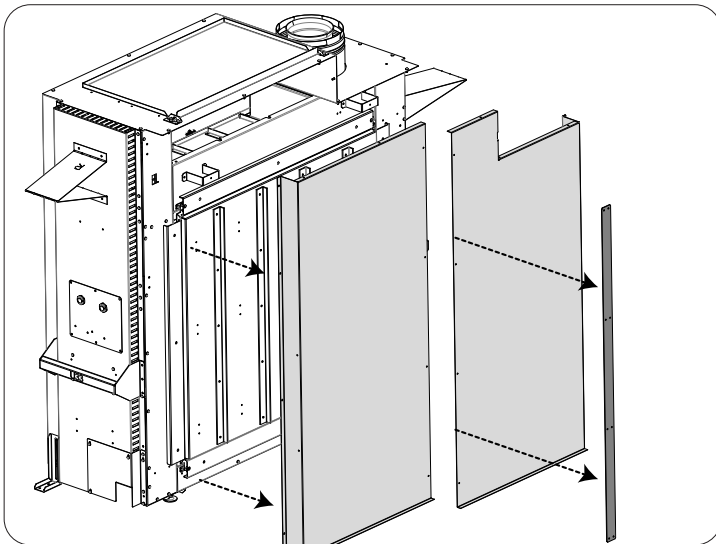


7. On the side and rear liner, remove the T20 fasteners securing liners to the firebox. Once the fasteners are removed you will be able to lift out the liners.



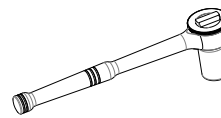
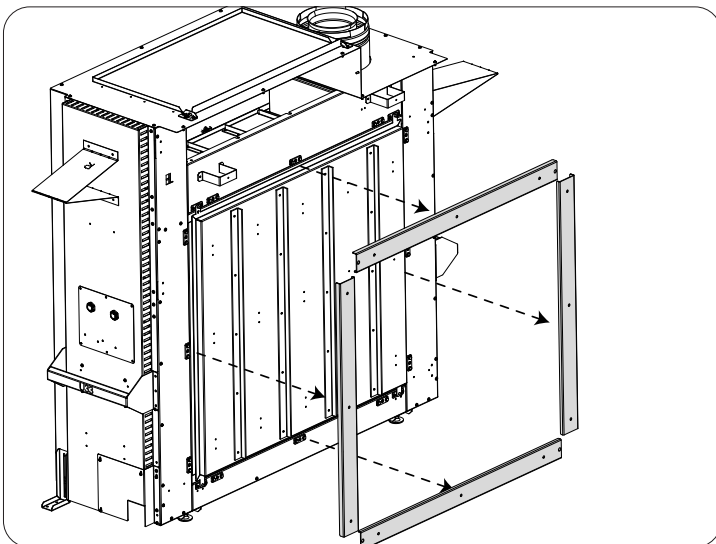
T20 DRIVER

8. Remove the clamps securing the insulation board. then remove the board itself.



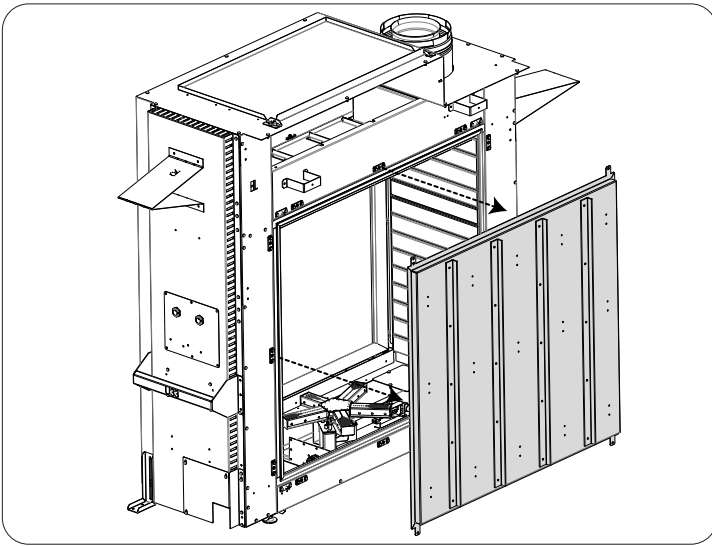
T20 DRIVER

9. Unscrew and remove the cabinet back.

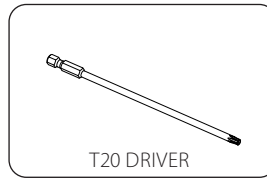
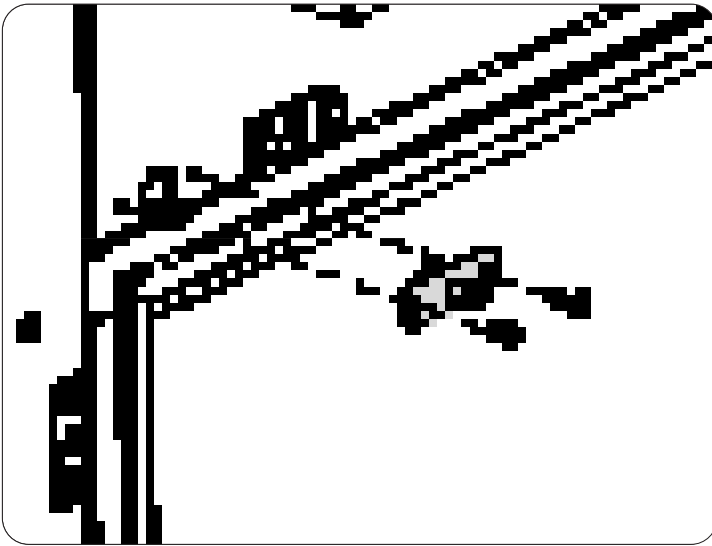


7/16" RATCHET/SOCKET

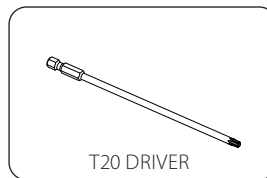
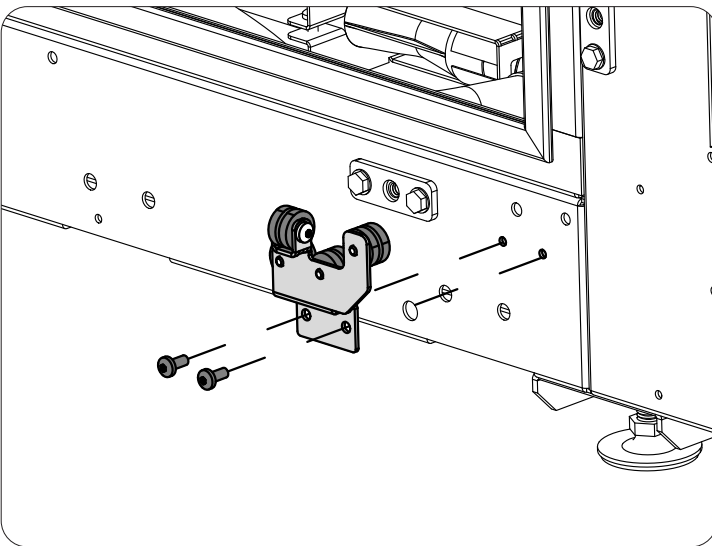
10. Unbolt the x4 clamps securing the liner pocket in place.



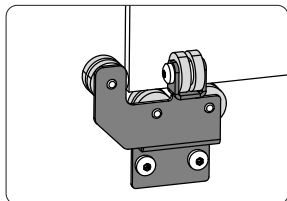
11. Remove the liner pocket



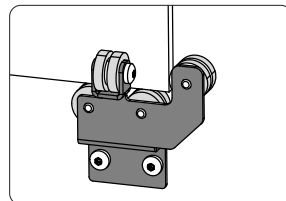
12. Remove the alignment pins in all 4 corners of the opening



13. Install both the left and right glass bumpers at the bottom of the opening. use the T20 fasteners provided.



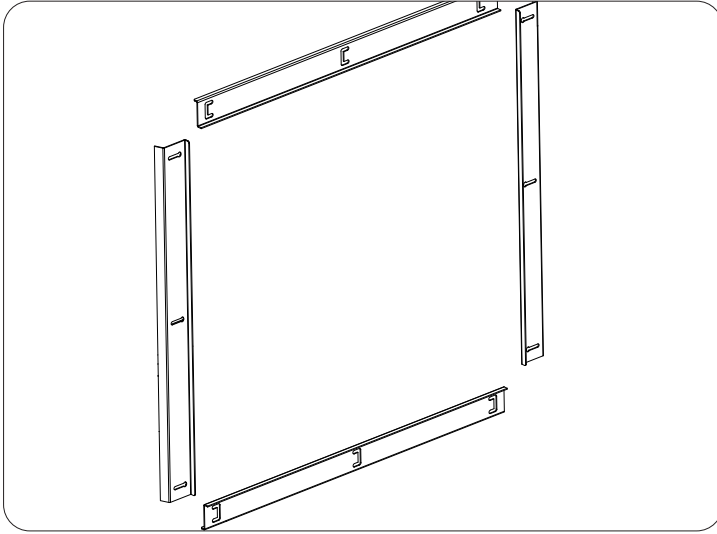
left glass clamp



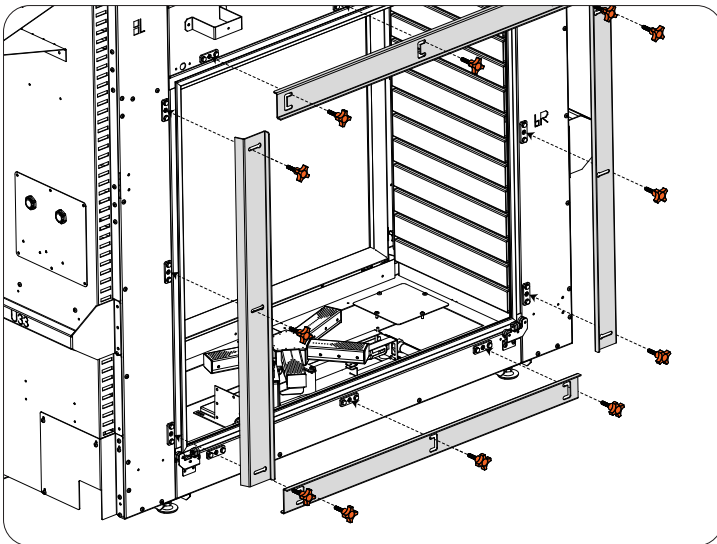
Right glass clamp

NOTE

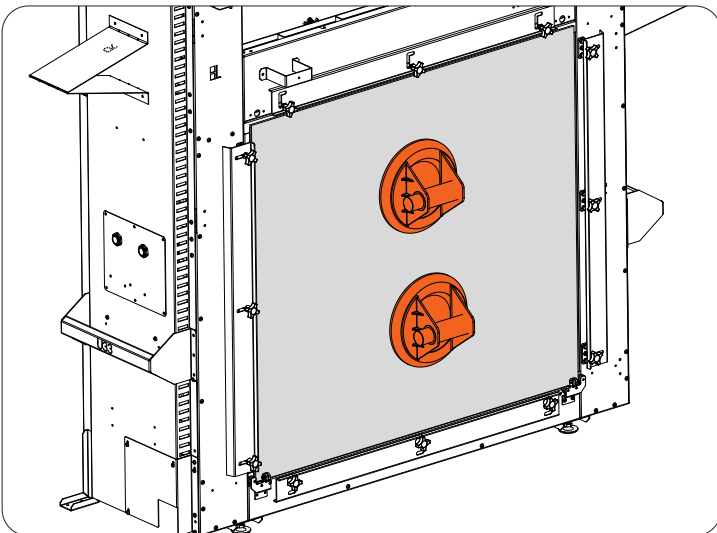
Ensure you install the correct bracket for the left and right hand side of the unit. the glass will sit on the inside.



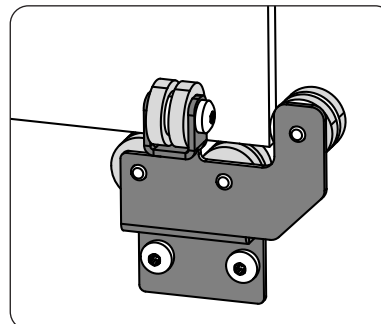
14. arrange the clamps so that the gasket will be touching. Install the 4 glass clamps. Make sure that the braided gasket will be touching the glass and not steel.



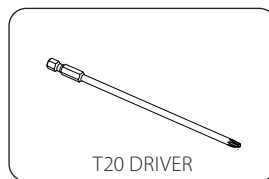
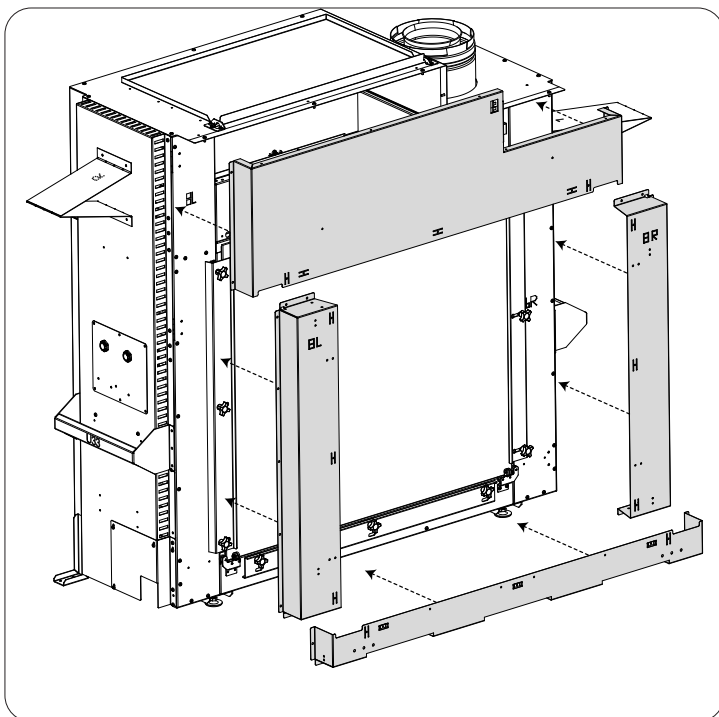
15. use the provided hand knobs. Keep the clamps loose and move the clamps out of the way to ensure the easy install of the glass.



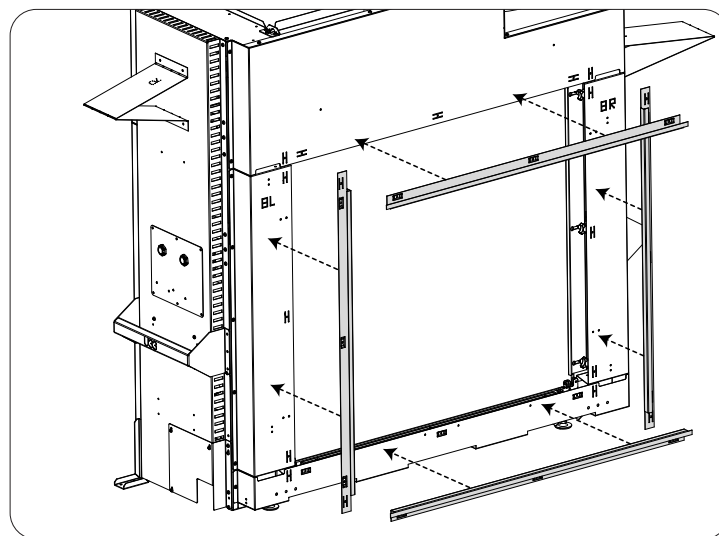
16. Using the suction cups, lower the glass into the rubber bumpers at the bottom of the unit. position the glass clamps over the glass and tighten hand knobs.



NOTE- The glass must be sealed for safe running of the unit. make sure all hand knobs are done up tight and securely.



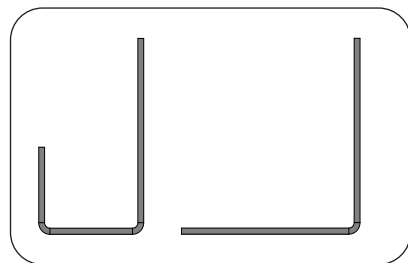
17. Install framing pockets to the the unit, using T20 fasteners. Ensure that the screen catches on the inside of the vertical pockets are situated towards the top of the unit.



18. Your Unit comes with 2 different types of tiling trim a Straight, clean edge & Tiling Trim with a return bend.

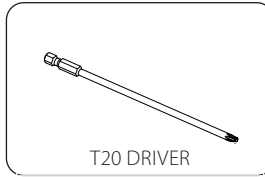
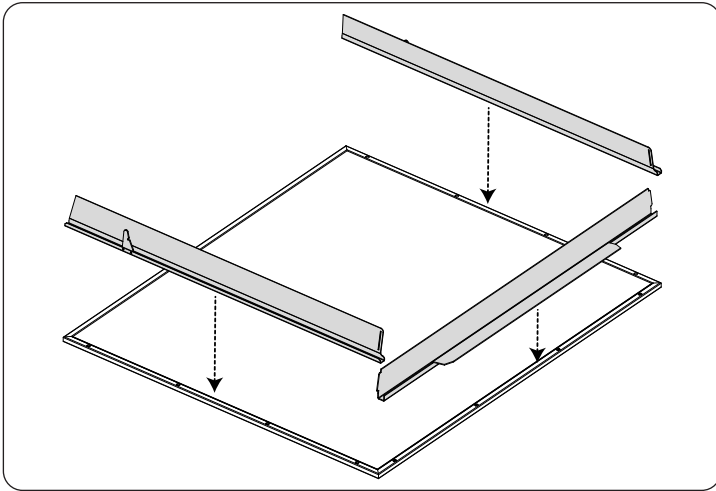
you will need to decide what trim you will be using based on the finishing material.

Attach to the unit with T20s included in the kit.

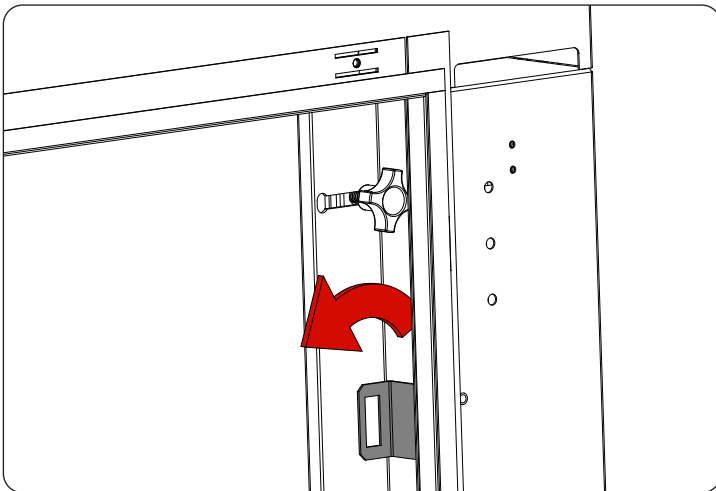


Tiling Trim

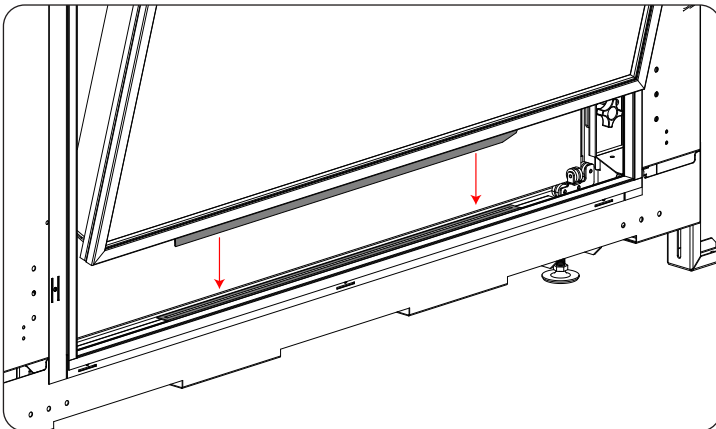
Clean Edge Trim



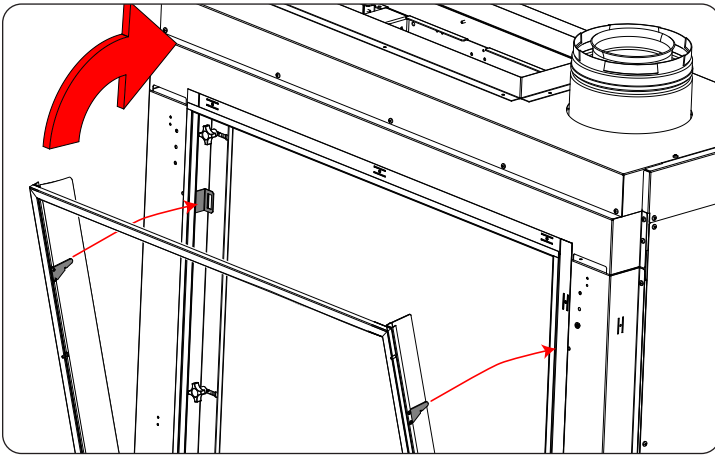
19. Attach trim to safety screen. start with the bottom trim first. then attach left and right trims, ensuring that the hooks are facing out



20. on the Unit, rotate the screen hooks into place. do this on both the left and right hand side.



21. Insert the flange on the bottom of the screen into the pocket on the bottom of the unit.



22. Rotate screen into place making sure the hooks attach to the unit securing the screen in place.