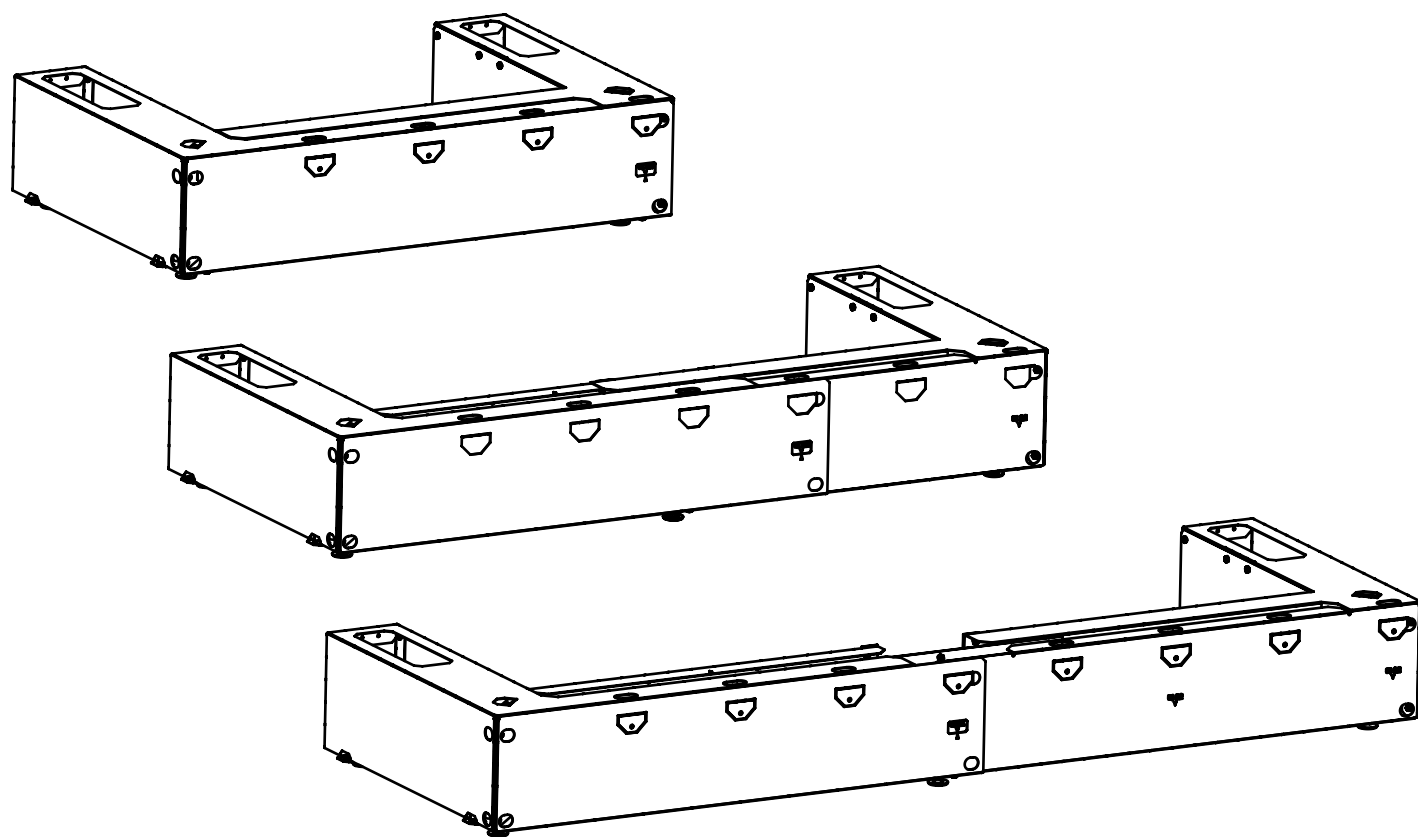


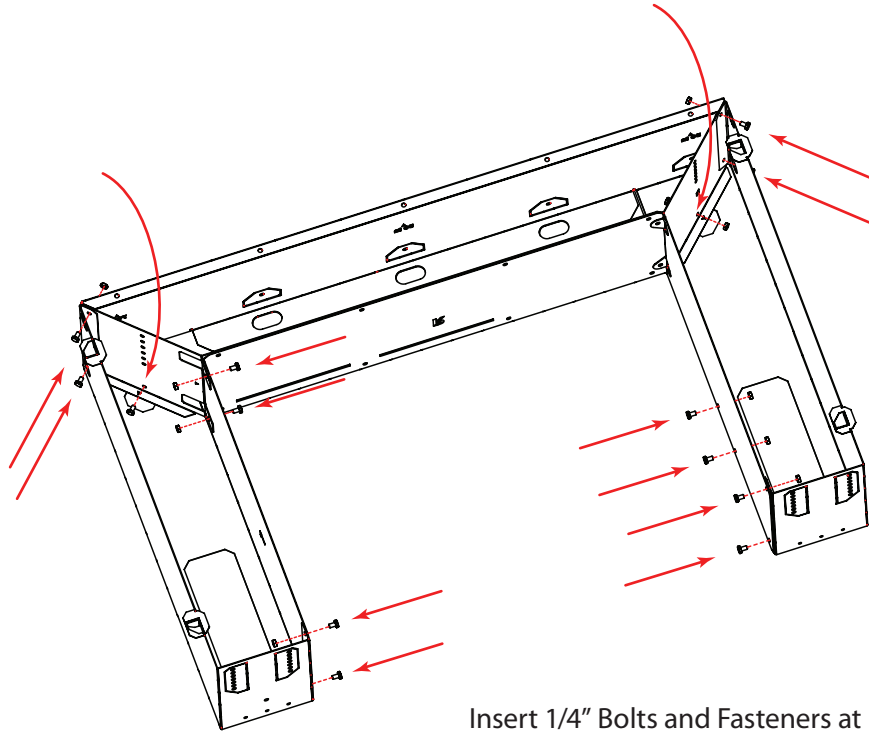
URBANA

LUXURY FIREPLACES

# 50-3824 U30/U50/U70 Steel Framing Base Kit

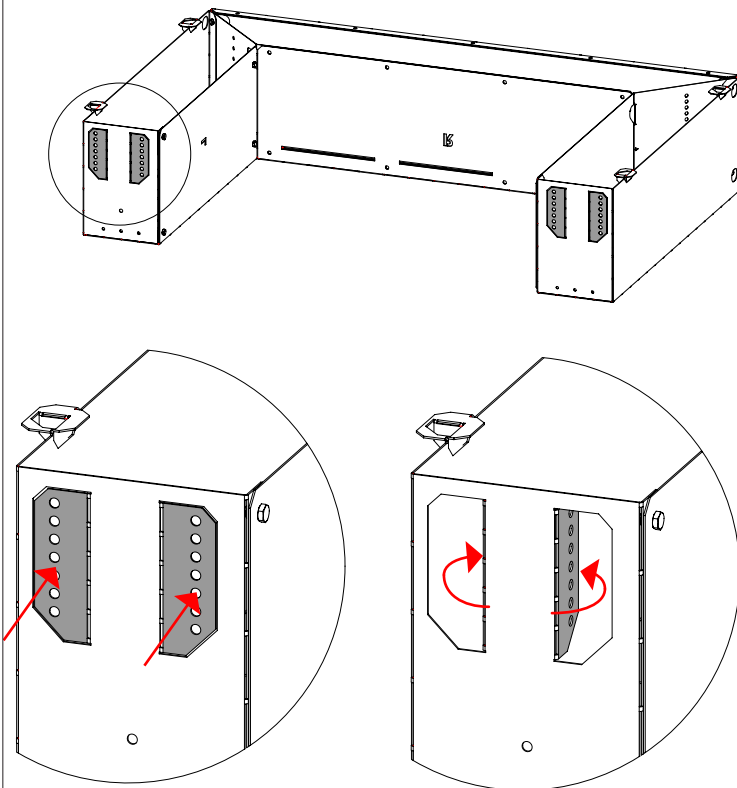


## Insert Fasteners left and right sides



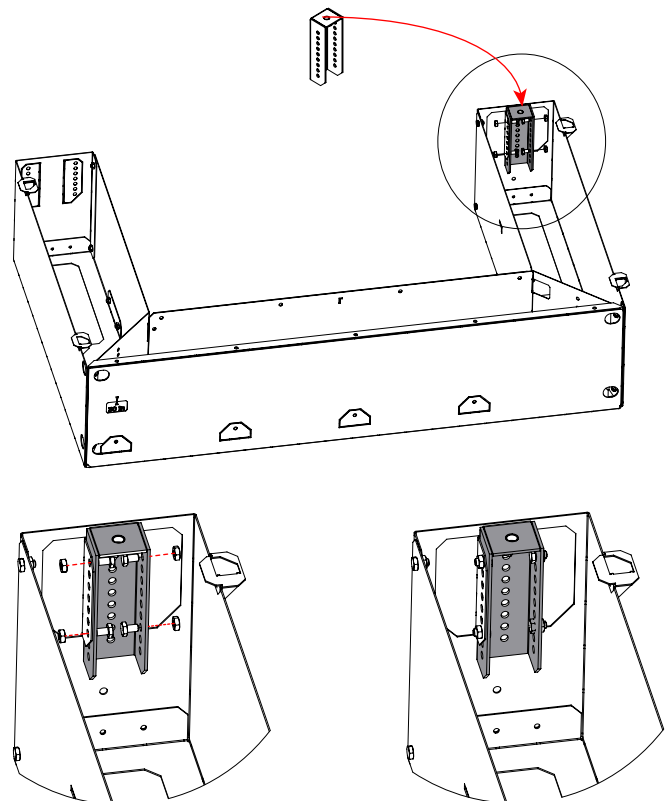
Insert 1/4" Bolts and Fasteners at locations indicated

## Bend Rear leg Mount



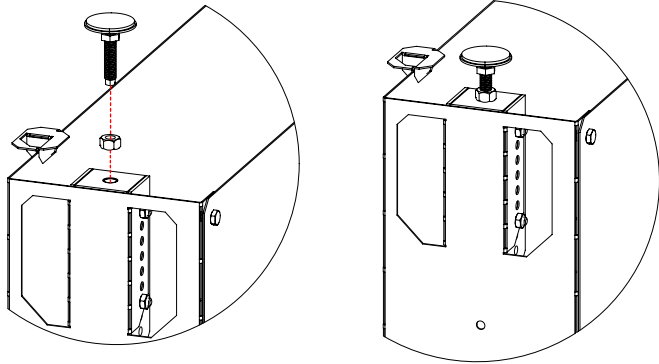
Bend Rear Leg mount Tabs inwards to approximately 90 deg. repeat for both sides

## Attach Rear Leg



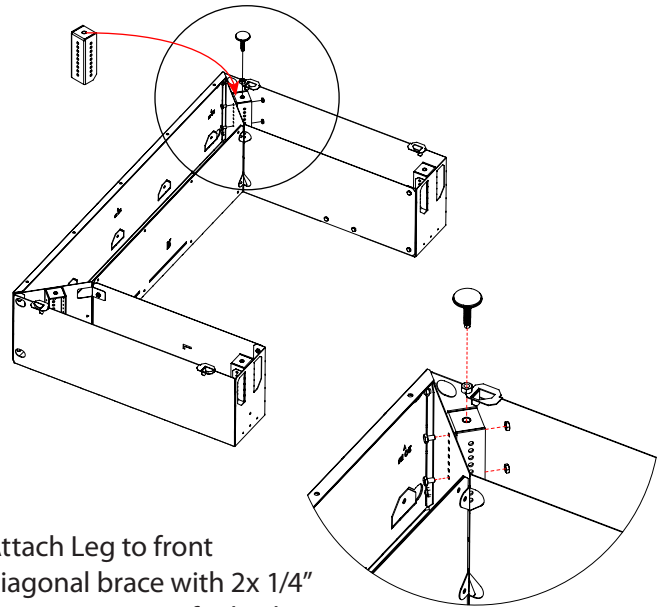
Attach leg with 1/4" fasteners making sure that leg is flush with end

## Installing Rear Leveling Legs



Add Leveling Leg and matching lock nut to rear legs on both sides, ensure that leveling leg is 1.5" from leg surface

## Install Front Legs

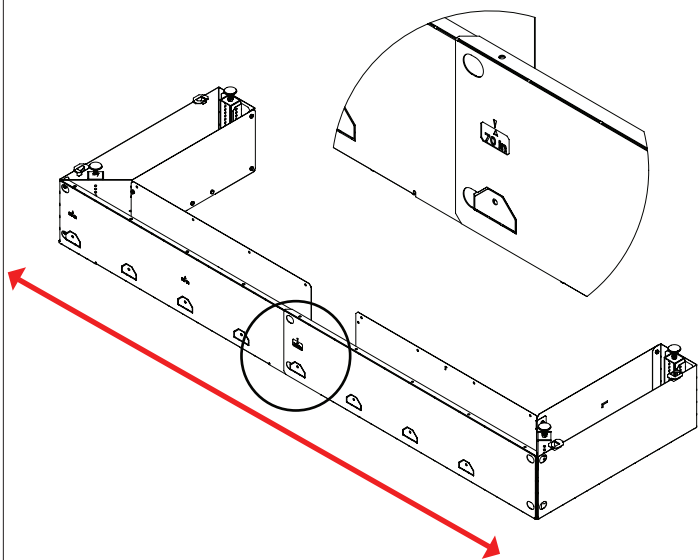


Attach Leg to front diagonal brace with 2x 1/4" Fasteners repeat for both sides

**Continue to Unit Specific Instructions from this point**

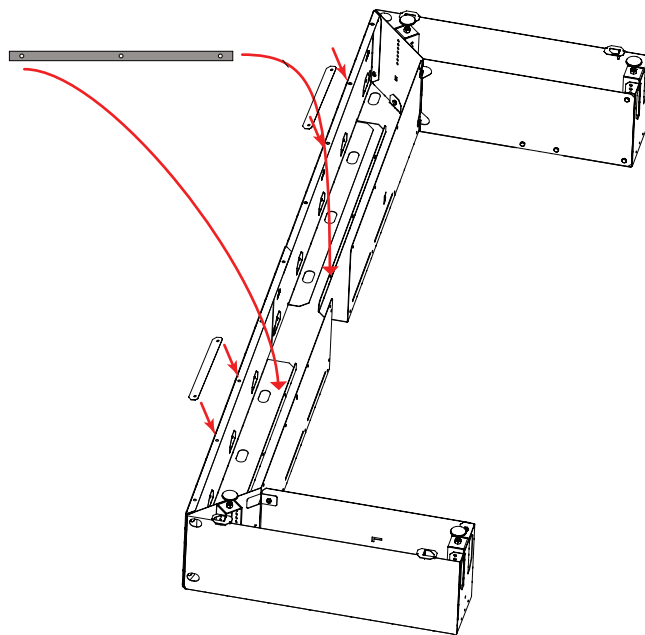
# U 70 Configuration

## Set Width



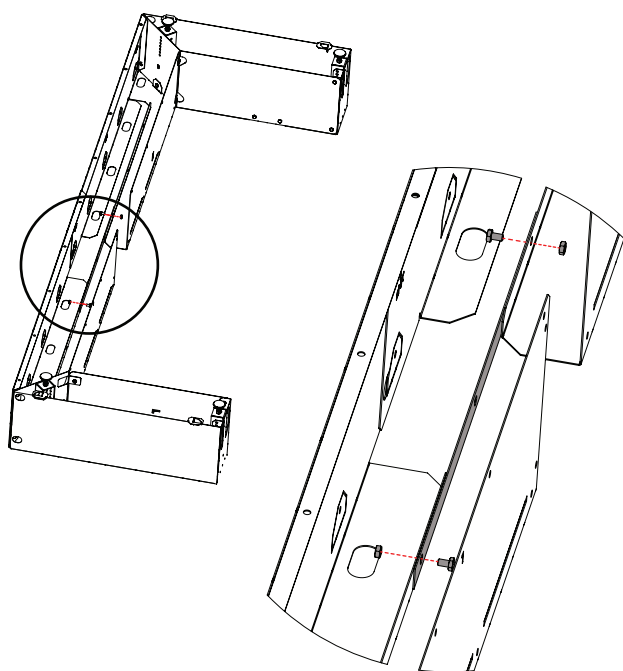
Set to 70 in width by aligning up the view window arrows at 70 in indicator

## Install brace



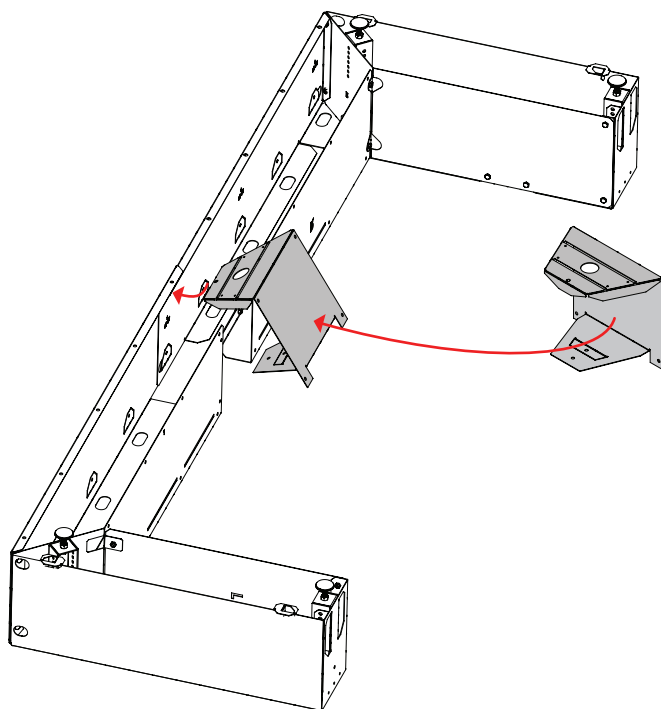
Position middle brace as indicated and bolt on Facing stops.

## Add Fasteners to Brace



Add Fasteners to Middle Brace

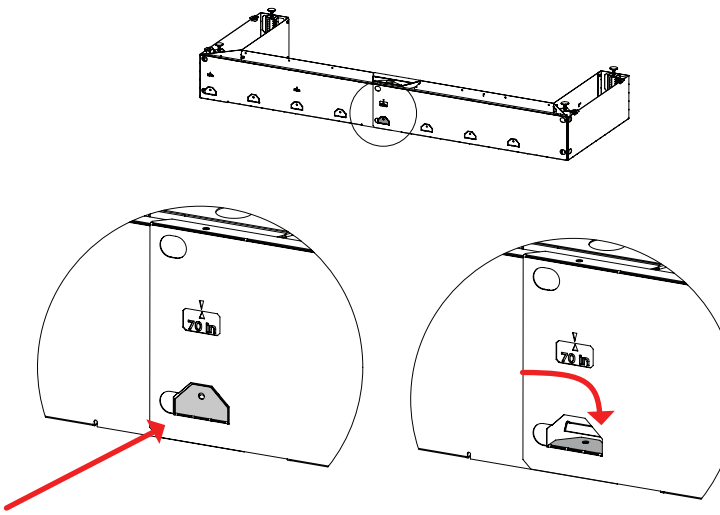
## Installing Center section



Insert center section

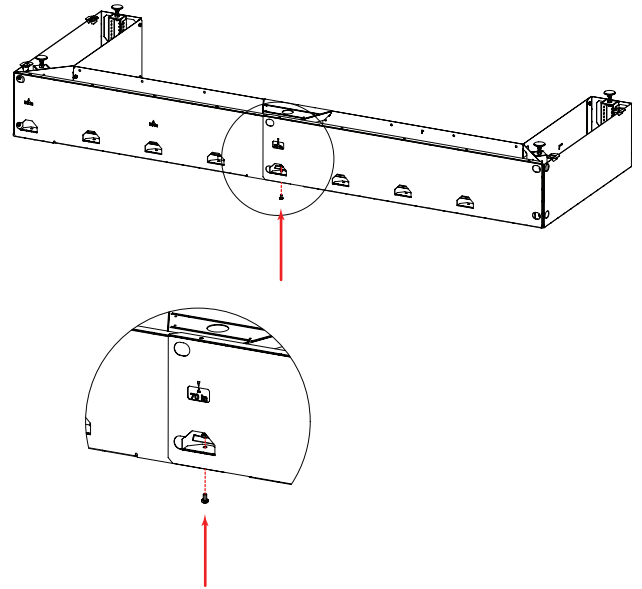
# U 70 Configuration

## Bend Front Tabs



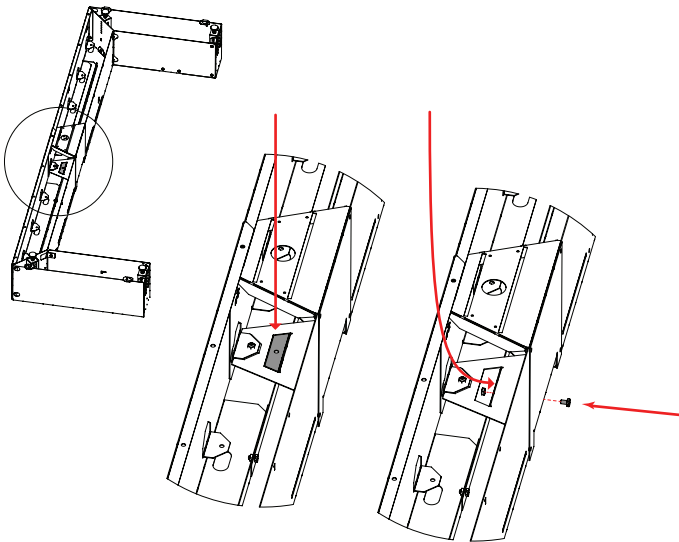
Bend both middle tabs inwards at a right Angle

## Add Fastener to Front Tabs



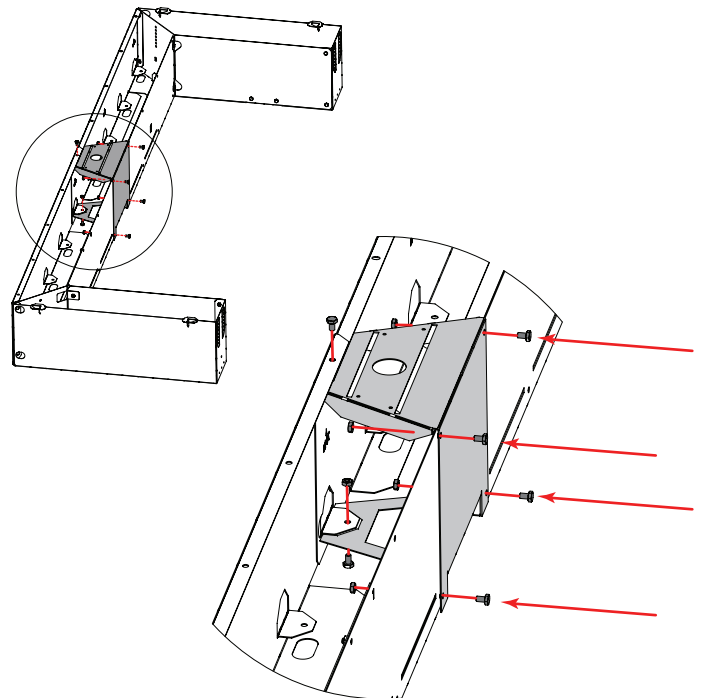
Bolt front tabs together

## Bend Brace Tab



Bend the tab on the center section downwards and bolt to the center brace

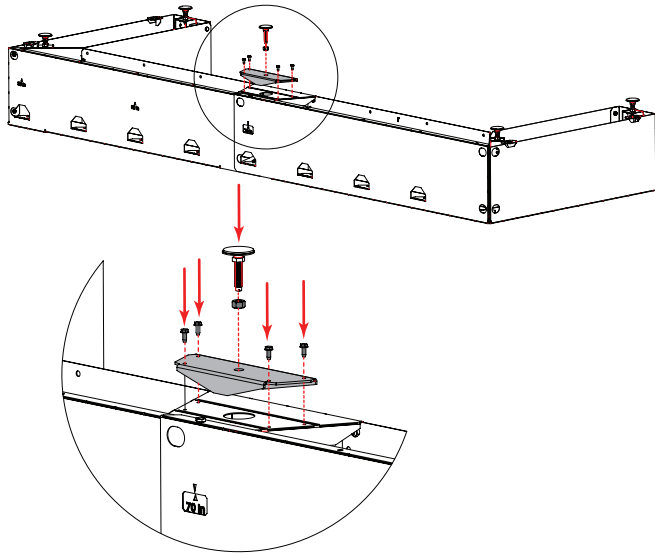
## Fasten Center Section



Attach center section with fasteners as indicated

# U 70 Configuration

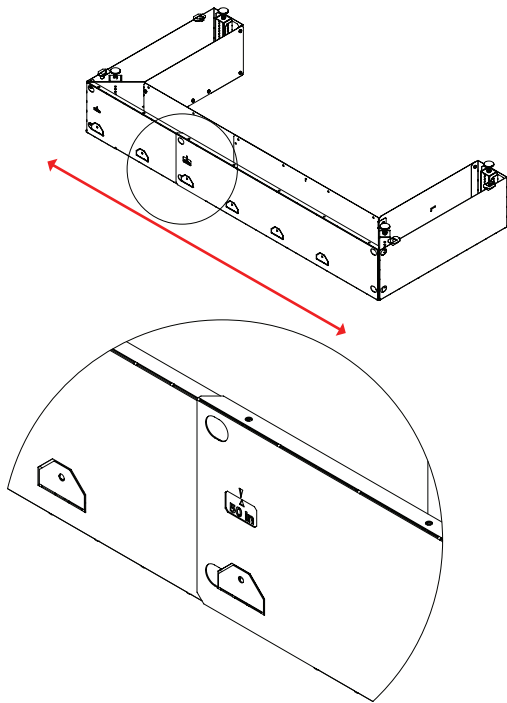
## Fasten Center Leg



Attach the center flange to the center section of the plinth using the #10 self tapping fasteners and thread the center leveling leg in

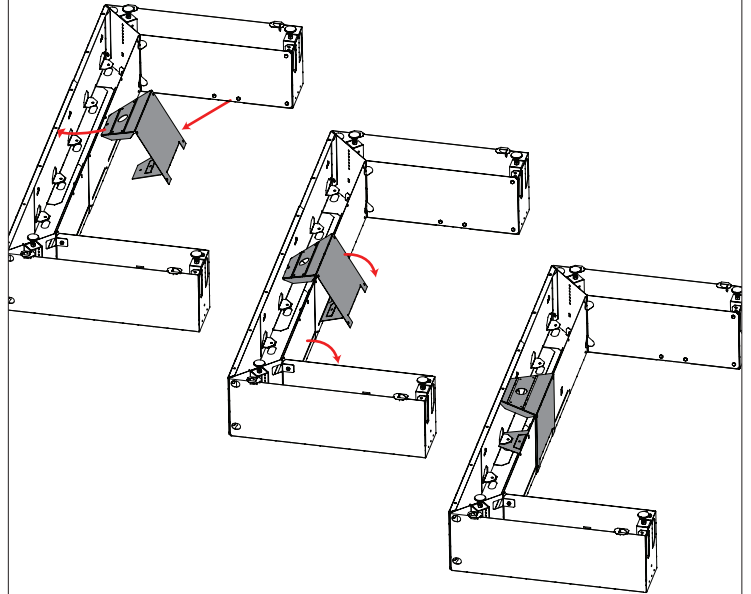
# U 50 Configuration

## Adjust width



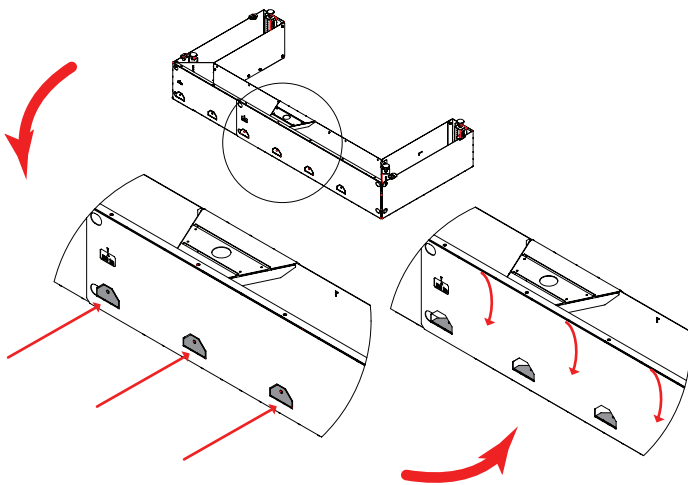
Set to 50 in width by aligning the arrow in the indicator window with the 50 in mark

## Install Center Section



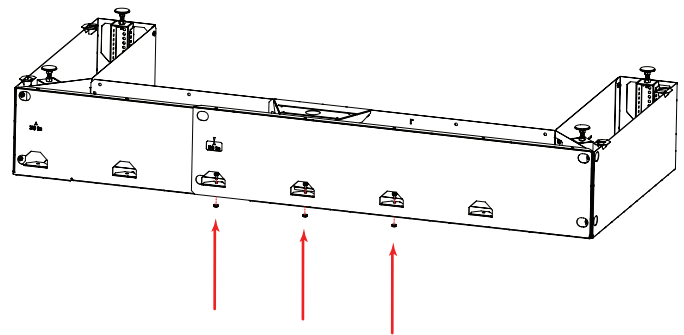
NOTE: Tab is inserted into rectangular slot

## Bend Front Tab



Bend three center tabs in at a right angle

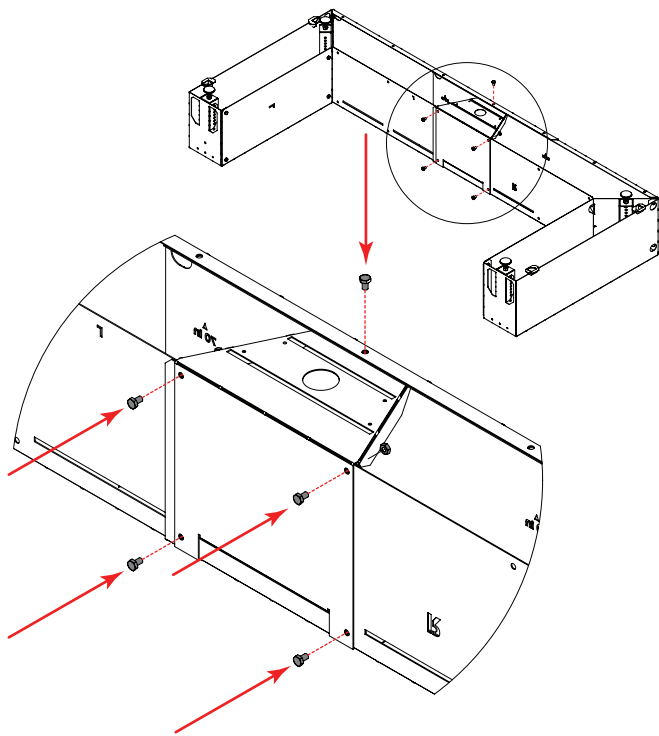
## Fasten Front Tabs



Bolt front Tabs together

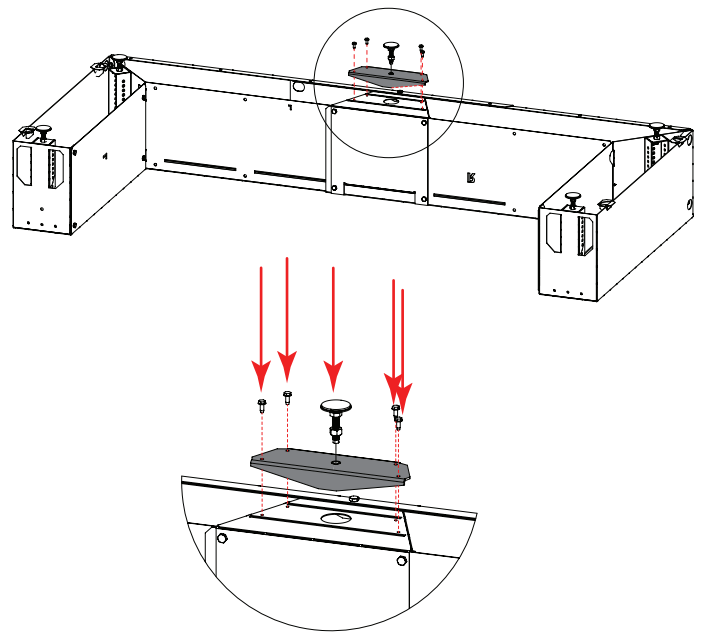
# U 50 Configuration

## Fasten centre section



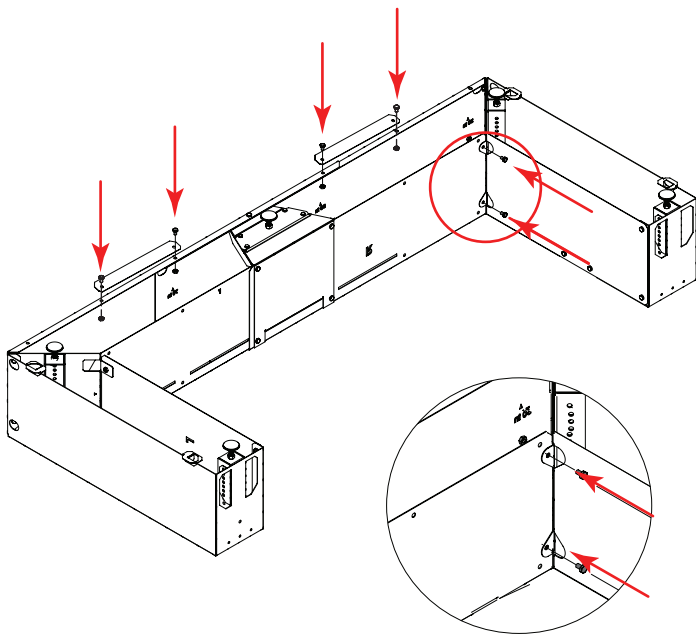
Add fasteners to Center section as indicated

## Install Center Leg



Attach the center flange to the center section of the plinth using the #10 self tapping fasteners and thread the center leveling leg in

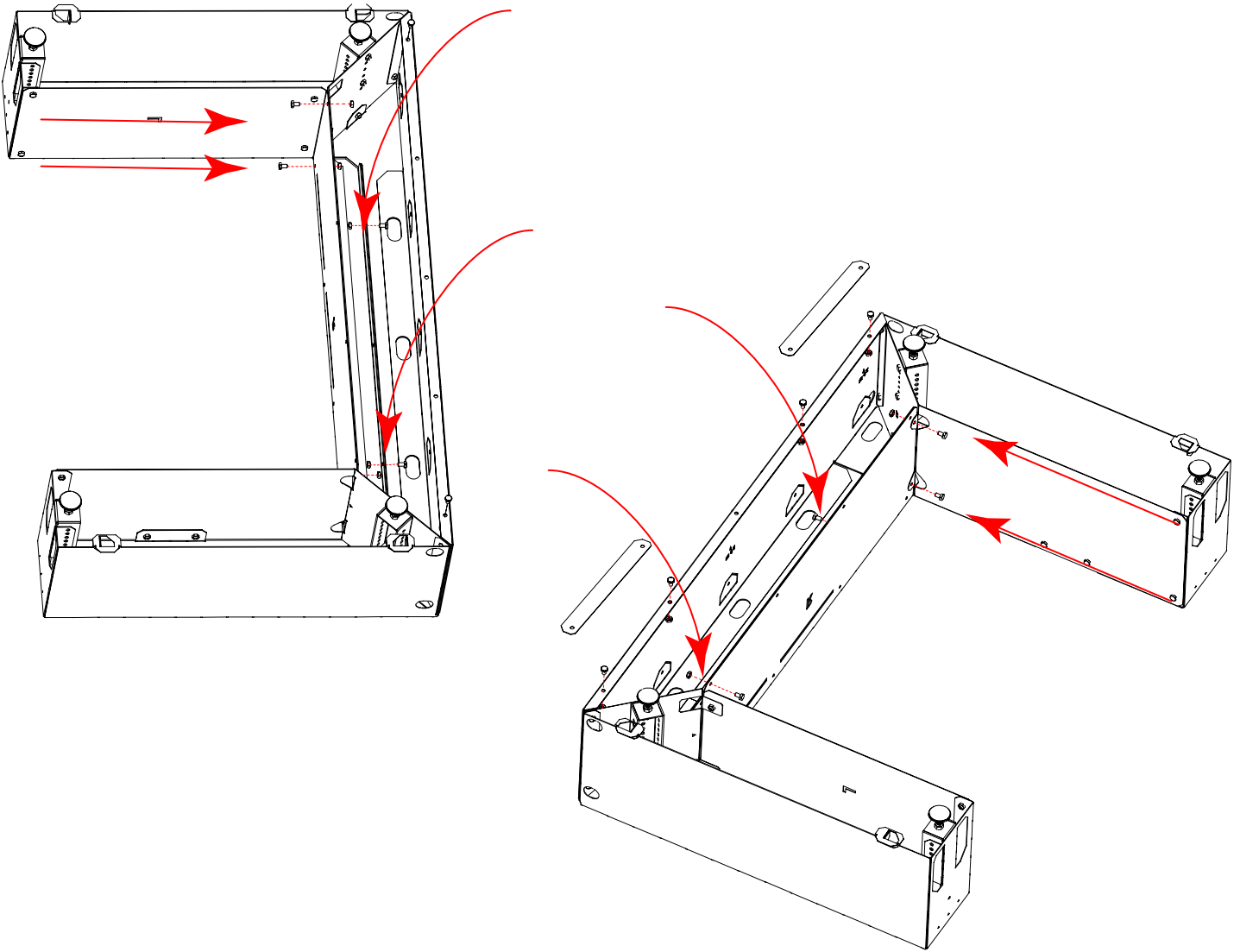
## Secure Fasteners



Complete assembly by adding the indicated fasteners and proceed to Levelling and installation

# U 30 Configuration

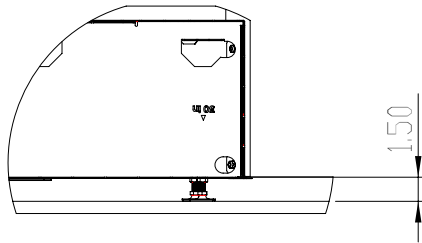
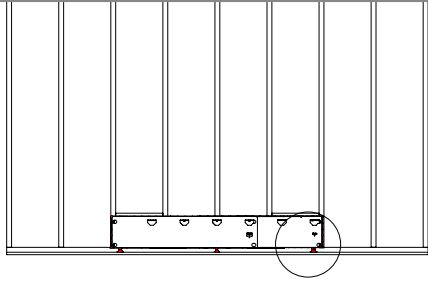
## U30 Final Assembly



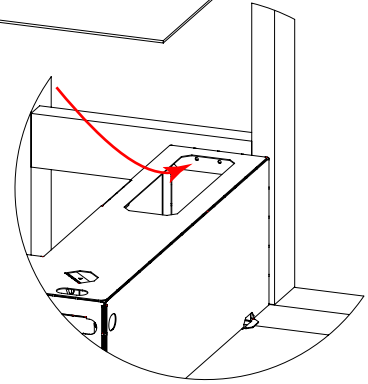
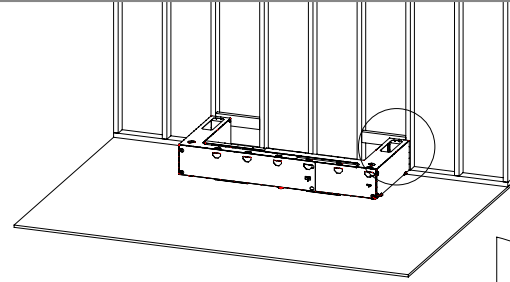
Insert 1/4 in fasteners into holes indicated and bolt on Facing stops. Proceed to Wall mount instructions

# Installation

## Step 8 - Levelling and Mounting

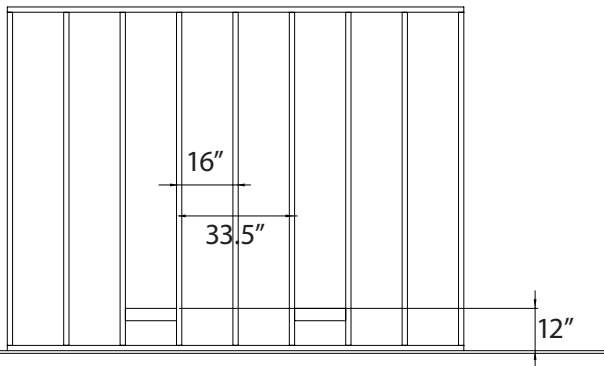


Adjust legs to ensure that bottom of plinth is a minimum of 1.5" above the finished floor.

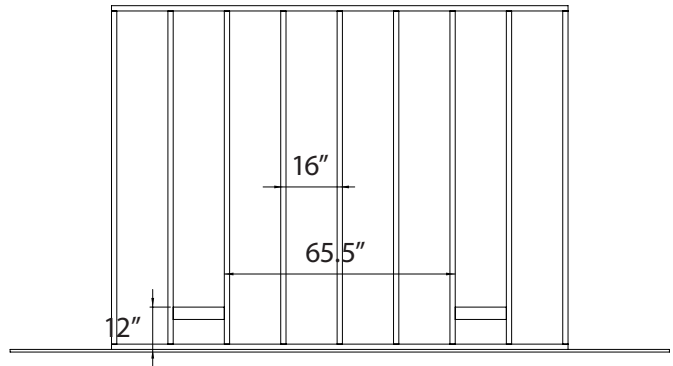


After checking level and minimum height above floor  
Secure plinth to Wall using wood screws through the access hole indicated.

## Framing Requirements



Framing requirements for U 30 and U 50 models



Framing requirements for U 70 Model

**NOTE: Drywall to be attached to unit with self tapping wood to metal screws NOT INCLUDED**