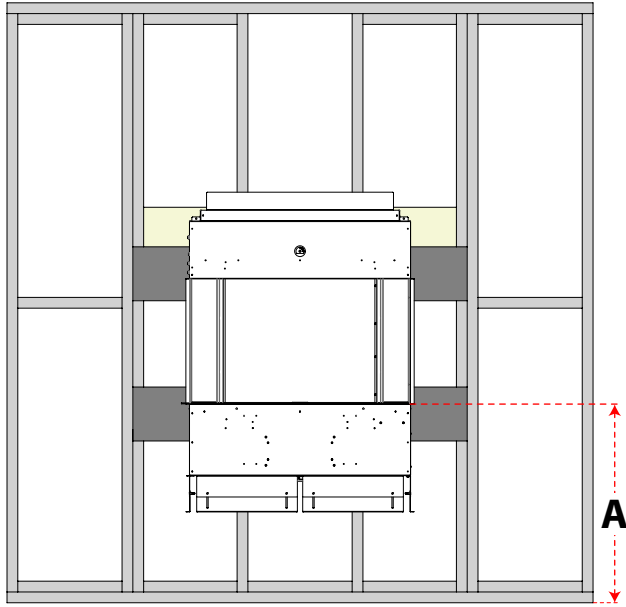


# U30 Hanging Kit Instructions


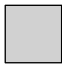

URBANA  
LUXURY FIREPLACES

## Step 1 - Determine Glass Height

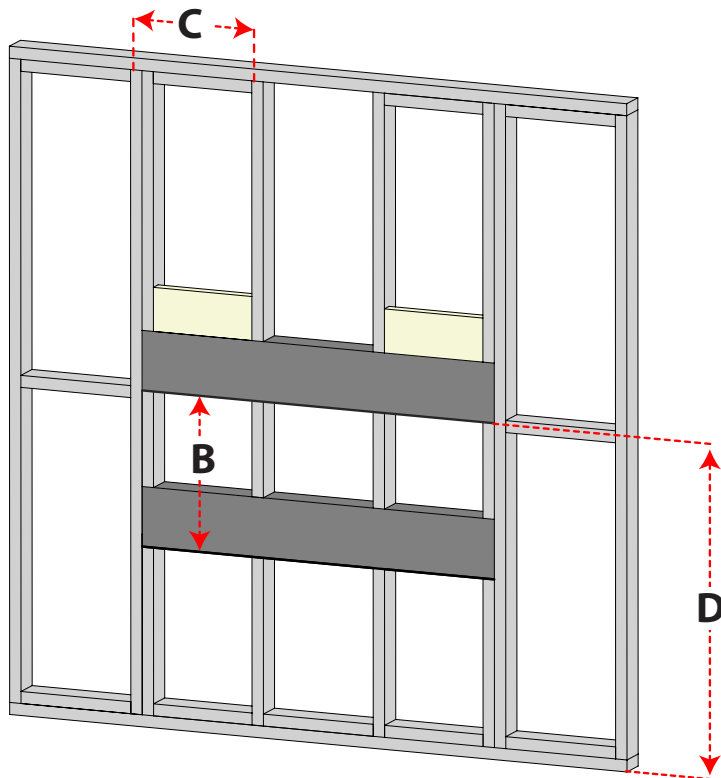


Determine the height you wish to mount the fireplace.  
Base the dimensions from the floor to the bottom of the glass.

## Framing Dimensions

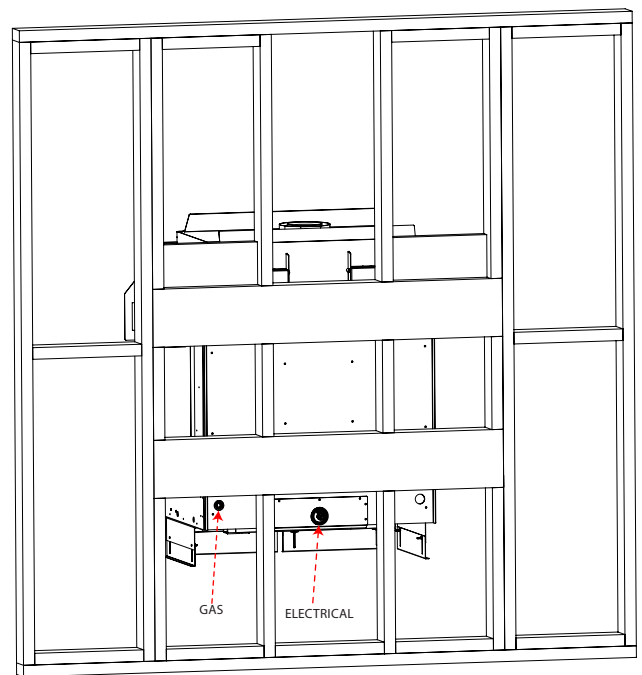
A	Desired height: measured from floor to bottom of glass
B	19.5"
C	16" centres
D	$(D = A + 14\text{-}3/8\text{'})$ to bottom of 4X8
	4X8 Lumber
	2X4 Lumber
	2X6 Lumber

## Step 2 - Framing Installation



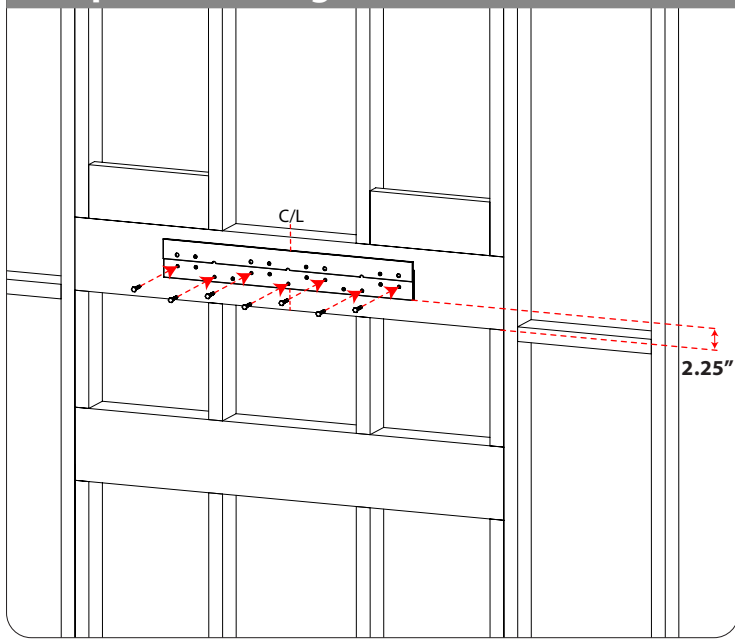
Construct 2X4 framing with standard 16" centres.  
Use formula  $D=A + 14\text{-}3/8\text{'}$  to determine the height of the  
upper 4X8 header.

## Step 3 - Fireplace Connection



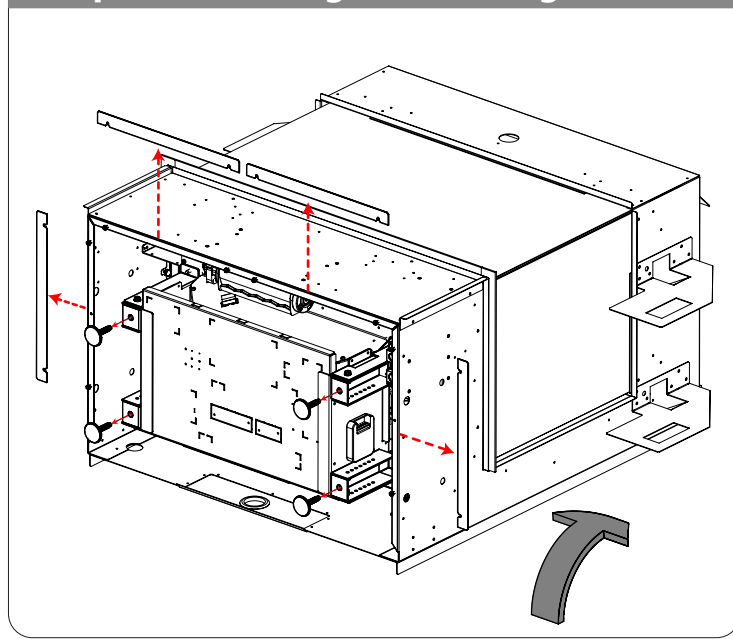
Make sure not to cover the gas and electrical  
connection points when framing.

### Step 4 - Installing Wall Bracket



Measure up 2.25" from bottom of header to the bottom of hooking bracket. Use a level to ensure bracket is level. Use lag bolts provided to fasten bracket to plywood.

### Step 5 - Removing Feet & Tiling Trim



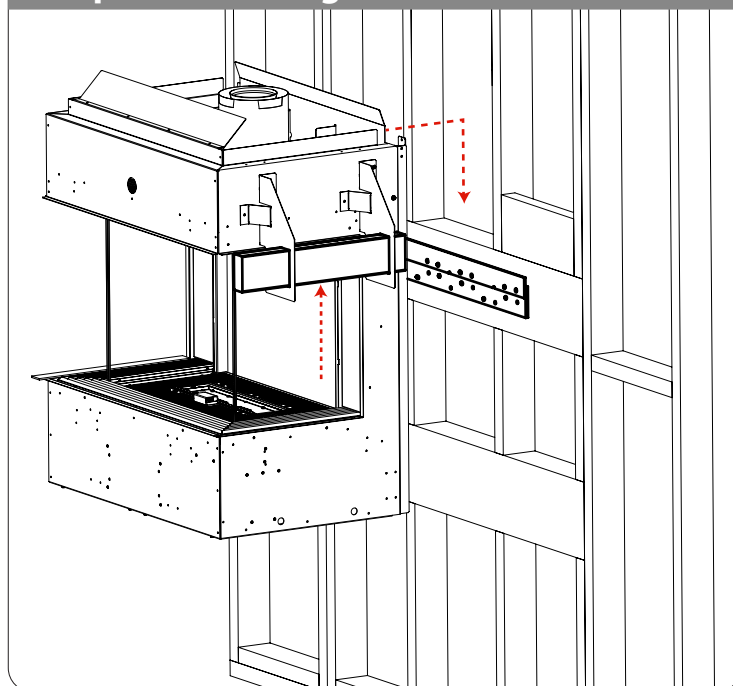
With help, lower fireplace onto its back. Unscrew X4 levelling feet from bottom of unit. Retain for further use. Loosen fasteners (do not remove) holding tiling trim; remove and discard tiling trim. Raise unit.

### Step 6 - Installing Levelling Feet



Screw in X2 levelling feet on the back of the unit until the bases are flush with the adjacent bracket tabs. Next, unscrew 1 turn so they are slightly protruding. This offers a good baseline for levelling the unit vertically.

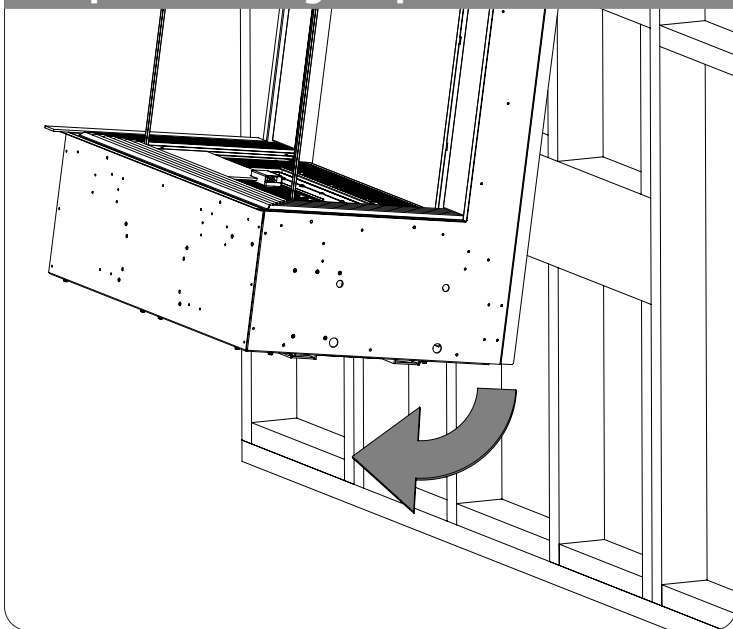
### Step 7 - Mounting Unit to Wall



Insert 2X4 through fireplace handles (assemble handles if not done already). Ensure 2X4 does not extend past the back of the unit. Be sure to note the location of the hooks on the rear of the unit.

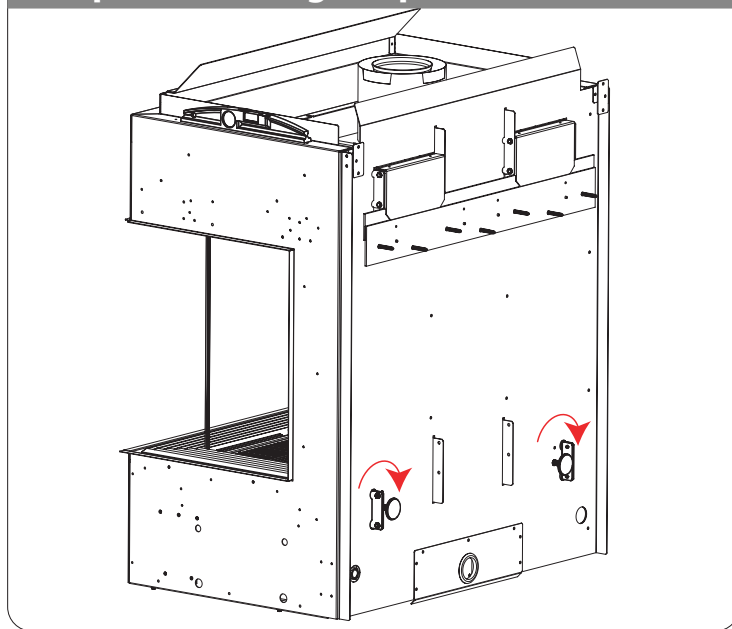
With help, lift unit up high above slot bracket and gradually lower keeping hooks pressed lightly against the header until mated. Slowly release weight after ensuring proper hook engagement.

### Step 8 - Levelling Fireplace



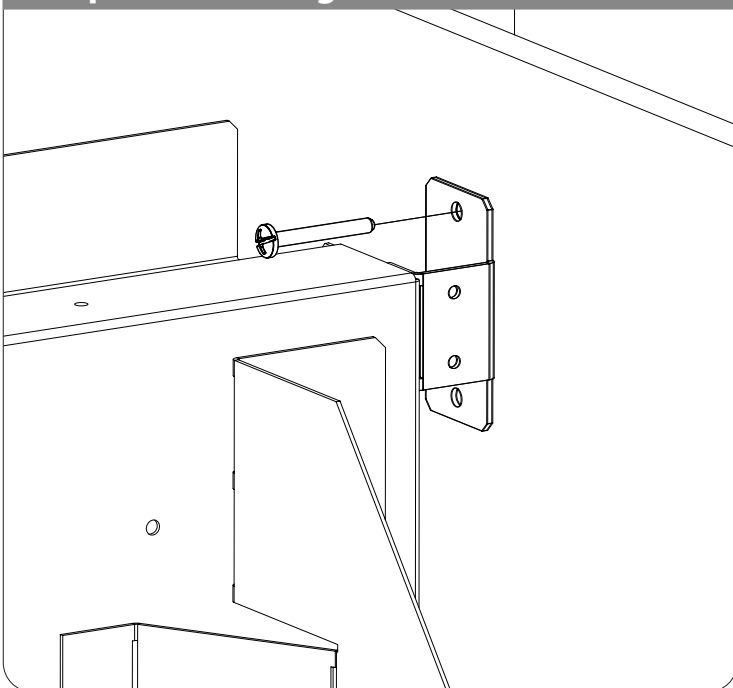
Ensure unit is level in both directions. If the unit needs to be adjusted vertically, pivot unit out from wall and adjust rear levelling feet as necessary.

### Step 9 - Levelling Fireplace



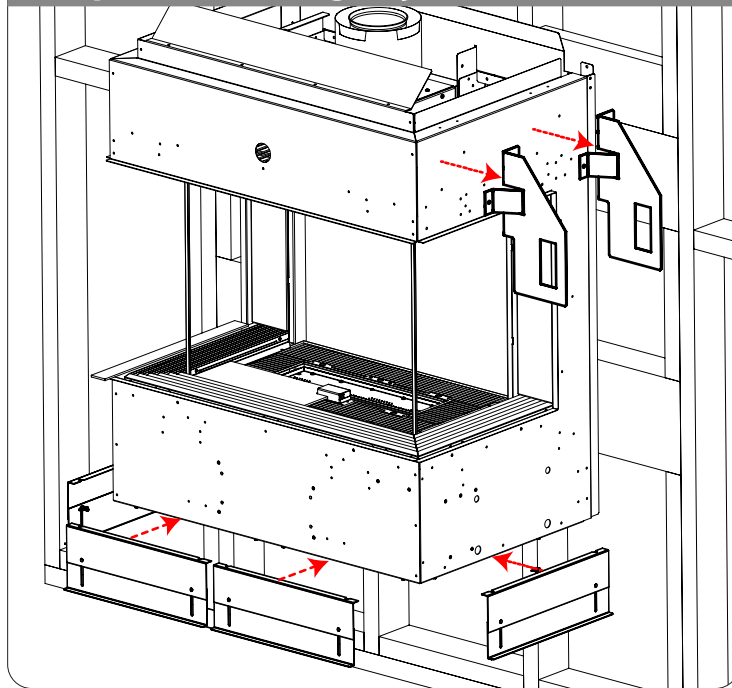
Use a spirit level on the top of the unit to verify level. Repeat the levelling adjustment until level.

### Step 10 - Securing Unit To Wall



(Bracket removed for clarity)  
When fireplace is in final position, secure both hold down brackets to header using #10 wood screw (not included).

### Step 11 - Installing Adjustable Trim



Remove lift handles and install adjustable finishing edges. Slip brackets over loosened fasteners from step 5 and tighten. Set height of adjustable flanges with wingnuts. Final adjustments can be made after facing material is installed. Finish assembling unit as per installation manual.