



Cool Surface System

FOR THE G SERIES & C SERIES



enviro.com

Benefits of the Cool Surface System

- ▶ **Take control of the heat**

Turning the heat up and down is handled fairly consistently among all fireplace brands, but what if you want to enjoy a beautiful flame without having to worry about the excess heat created? The Cool Surface System can add that extended level of control to your Enviro gas fireplace.
- ▶ **Three styles of Cool Surface System**

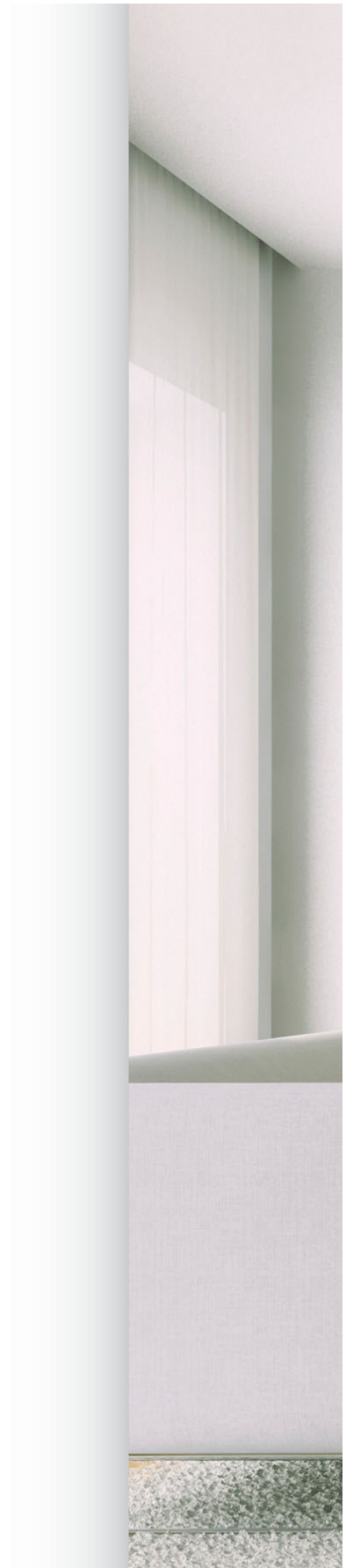
The Cool Surface System is designed to be available in three separate configurations depending on installation and model of fireplace. The Ceiling Outlet configuration allows the chase of your fireplace to stop short of the ceiling, creating a more subtle dispersion of excess heat. The Side Vent configuration utilizes two separate heat vents. The Front Vent configuration channels heat forward above the fireplace.
- ▶ **Protect your valuables**

The primary focus in the design of the Cool Surface System has always been to protect property in proximity of an Enviro fireplace installation. We want you to enjoy your fireplace without having to worry about heat damage over time.
- ▶ **Installation versatility**

The Cool Surface System offers installers greater freedom to place your new Enviro gas fireplace in a wider variety of room sizes and orientations that may not otherwise be compatible.
- ▶ **Already included with G Series Fireplaces**

If you purchase a G Series Gas Fireplace than you're in luck! All G Series Gas Fireplaces include the Cool Surface System, automatically integrated into their construction.
- ▶ **No Fans, No Power**

The Cool Surface System is engineered to function without the need of fans or even electricity by capitalizing on the natural effect of hot air rising.





Ceiling Outlet Configuration

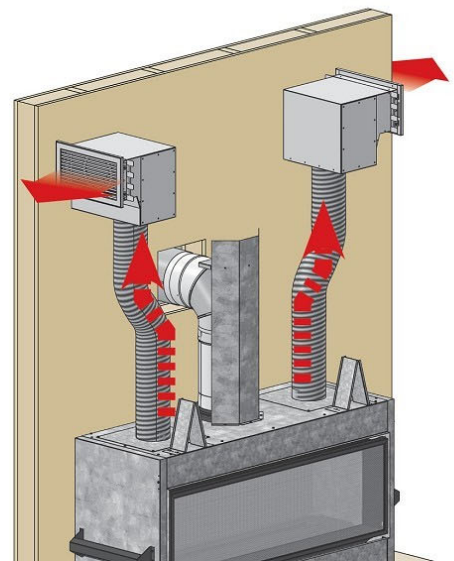
The Ceiling Outlet configuration of the Cool Surface System is compatible with all G Series Gas Fireplaces. This design option allows for an opening at the top of the chase (ie: space behind the wall and above the fireplace) where the wall meets the ceiling. Rising heat is then distributed into the room past wall mounted valuables. One advantage to this style of installation is that it does not require a vent bezel. The absence of a vent bezel gives the opening a subtler appearance and allows for greater customization.



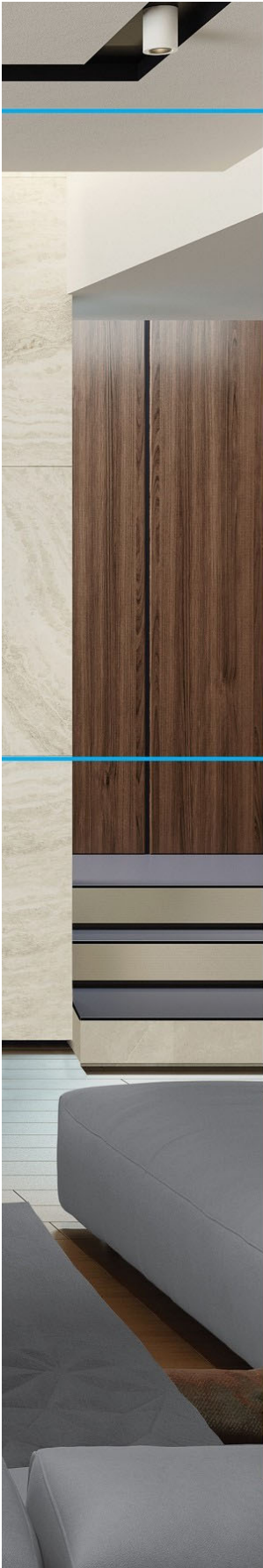


Side Vent Configuration

The side vent configuration of the Cool Surface System is compatible with C Series Gas Fireplaces. This option includes two separate vents connected directly to the fireplace. The advantage to this style of installation is that these vents can be installed to face independent directions. The exposed vent bezels can be mounted horizontally or vertically and be painted to match the surrounding exterior wall, helping them to blend with the room decor.





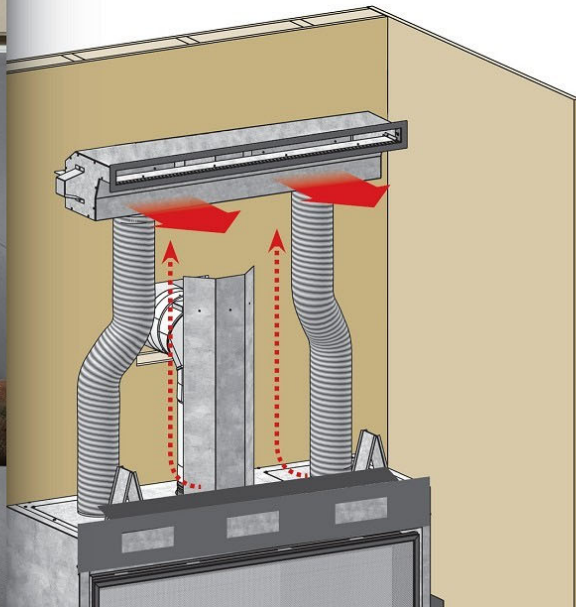


Front Vent Configuration

Available as an option for C Series Gas Fireplaces, this configuration is included with every G Series Gas Fireplace. Channeling heat behind the wall and up above the unit, a bezel opening allows excess heat to flow in to the room past any wall mounted valuables. This bezel can vary in height and width depending on model of fireplace and it is also paintable to match the location of installation.

Cool Surface Zone

Consistent between all versions of the Cool Surface System is the creation of a Cool Surface Zone above your fireplace. This benefit allows for combustible facing (i.e. drywall) to be installed right down to the fireplace with the G Series. On the C Series, the Cool Surface System can lower the minimum mantle height by 12 inches, as well as 6" lower on the G39, and 4" lower on the G42/G50.



In-depth video of The Cool Surface System



Scan the following QR code for a video demonstration of The Cool Surface System.





Cool Surface System

In the past, wall mounted televisions or treasured decor pieces would degrade over time from the excess rising heat produced by your gas fireplace. We want our customers to enjoy our fireplaces without having to be concerned about the long term effects on wall mounted property. The Enviro Cool Surface System allows you to make use of the valuable real estate directly above your fireplace. It can channel heat inside the wall and vent it in a safe manner that lets you enjoy a relaxing Enviro flame with added peace of mind.



Manufactured by Sherwood Industries Ltd. Victoria, BC, Canada | enviro.com

Printed in Canada, July 2019

POP-349