

C Series Aesthetic Options

Fluted Liner



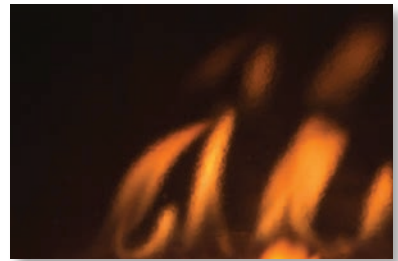
Compatible with the C34, C44, C60, and C72

Ledgestone Liner



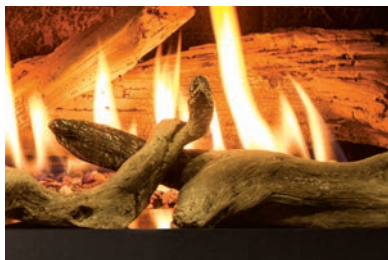
Compatible with the C34, C44, C60, and C72

Black Enameled Liner



Compatible with the C34, C44, C60, and C72

Ultra High Definition Log Set



Compatible with the C34, C44, C60, and C72

Traditional Log Set



Compatible with the C44

Bezel Base



Includes Vermiculite
Compatible with the C34, C44, C60, and C72

Full Glass Tray



Compatible with the C34, C44, C60, and C72

Rock & Log Set



Compatible with the C44

Rock Set



Compatible with the C44

Halogen Light Kit



Compatible with the C34, C44, and C60

Iron Spheres Kit

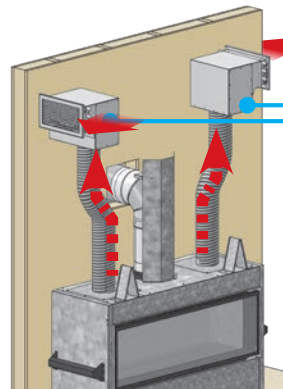


Compatible with the C34, C44, C60, and C72

C Series Extra Options

Cool Surface System HDK

In the past, wall mounted televisions or treasured decor pieces would degrade over time from the excess rising heat produced by your gas fireplace. Our new **Cool Surface System** for the C Series allows you to make use of the valuable real estate directly above your linear gas fireplace. It can channel heat inside the wall and vent it out above the fireplace.



SIDE VENT (L&R) | Part: #50-3455

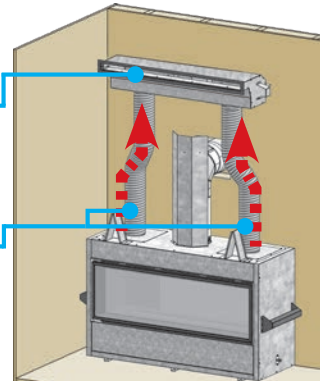
Side vent configuration allows heat to be vented to the left and right

These side ducts can be installed in a horizontal or vertical format and high temp paint (250°F) can be used on the opening bezels to blend with wall color

FRONT VENT | Part: #50-3463 (C34/C44/C60) & Part: #50-3713 (C72)

High temp paint (250°F) can be used on the opening bezel to blend with wall color

Dual vents reduce surface temperature and evenly channel rising heat



Power Vent Kit

- A minimum venting run of 10 feet
- A maximum venting run of 110 feet
- Max of 6 elbows in vent configuration
- Venting can run downward 4' below the unit
- Flush mount (paintable) termination
- Run Quiet Fan System (noise reduction)

